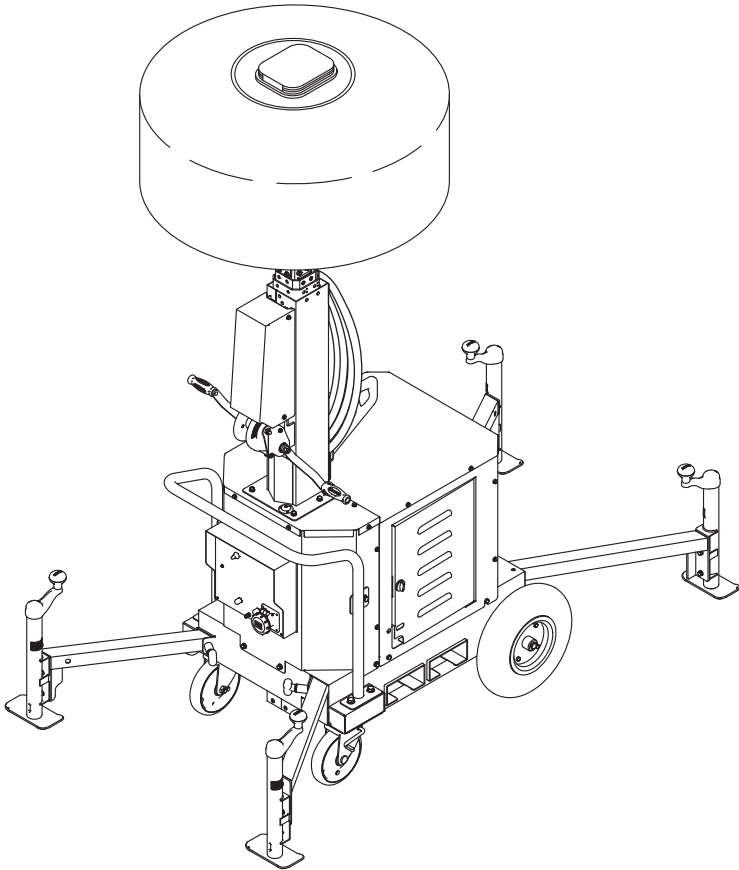


OPERATION MANUAL

LIGHT BOY

MODEL B8CM-CE



Never attempt to operate or service this Lighting system until you have first read and understood all of the applicable Safety Instructions that are set forth in this Manual. The failure to comply with all relevant Safety Instructions could result in bodily injury. To assure that this Manual will be conveniently available to future users, store this manual carefully after use.

NOTES

Thank you for purchasing LIGHT BOY B8CM-CE

- This manual contains information and procedures for the safe operation and maintenance of LIGHT BOY Products.
Always read and understand all instructions before operating the lighting system.
- Keep a copy of this manual with the unit at all times.
- If this manual is lost or damaged, please notify the dealer from whom you purchased the product or contact LIGHT BOY for assistance.
For general or technical questions, please contact LIGHT BOY. Please have your serial number available.
- To ensure safety and quality improvement, LIGHT BOY CO., LTD. and its affiliates reserve the right to make changes and modifications to the product without prior notice.

Instruction Manual	B8CM-CE	Code NO.	B-0000493-00
--------------------	---------	----------	--------------

In order for you to use safely

- The three safety messages shown below will inform you about potential hazards that could injure you or others.

The safety messages specifically address the level of exposure to the operator and are preceded by one of three words:

DANGER, WARNING, CAUTION.

Obey all safety messages that are described in this manual to prevent the possibility of improper service, damage to the equipment, personal injury or death.

- General Safety Information



INDICATES A HAZARDOUS SITUATION WHICH, IF NOT AVOIDED, WILL RESULT IN DEATH OR SERIOUS INJURY.



Indicates a hazardous situation which, if not avoided, could result in death or serious injury.



Indicates a hazardous situation which, if not avoided, could result in minor or moderate injury.

In addition, if not avoided, could result in property or equipment damage.

CONTENTS

■ Notice for Safe Use	4
■ Location of Warning Labels	14
■ Product overview	18
■ Operating	20
■ Lights on / Lights off	24
Balloon	24
Turning Lights ON	25
Turning Lights OFF.....	28
■ Storage.....	29
■ Conveyance by forklift	30
■ How to Replace Parts	31
■ Optional Message Strip	33
■ Inspection/Maintenance/Storage	34
■ Circuit Diagram	38
Balloon	38
Control box	39
■ Troubleshooting	40
Lighting units	40
Mast	48
■ Specifications	50
■ Disposal	51
■ How to Get Help	52

Notice for Safe Use

■ Installation

Never use in strong winds



Using the lighting system in strong winds may cause injury or accidents due to falling or tipping over.

- If the balloon becomes dented by wind, lower the mast to use.
- If the balloon dents even after lowering the mast, discontinue use. There is a risk that the balloon bag to get damaged.

Always secure tires when stopped



Failure to secure the tires when stopped may cause the lighting system to run out of control or pinch a person.

- Always brake and jack up or chock the tires.

Tighten the knob properly.



If the knob is loose, the lamp or mast may fall, resulting in injury or damage.

- When storing and folding the mast ALWAYS keep hands and fingers away from pinch points.

Please use the outrigger



Use the outrigger to prevent the lighting system from overturning.

- ◆ Always make sure the area (8m radius) around the lighting system is clear and safe.



Please pay close attention to your feet during installation.

Never install the lighting system near a fire



Installing the product near fire or exposing it to flames may result in a fire hazard. Please exercise caution and keep away from any potential sources of fire.

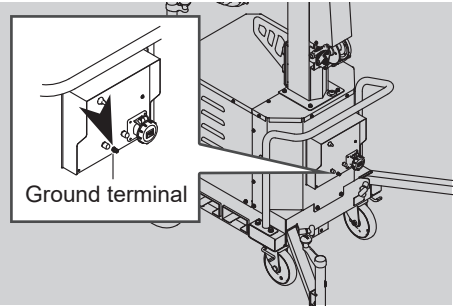
- It is important to check that there are no flammable objects or fires in the vicinity of the projector before installation.

There is a ground connection terminal to the lighting system

⚠ DANGER



To prevent electric shocks, always connect to the ground.



Be careful when adjusting the angle

⚠ CAUTION

When using the fold lever or adjusting the lamp angle, there is a risk of injuring your fingers or hands, or damaging the lamp cable.

- It is important to be cautious of your surroundings and the safety of your hands when operating the lighting unit.

■ Transportation

Check the lighting system before transportation

DANGER

Always tighten the adjust lever firmly and ensure the balloon light assembly is fixed to the mast before transporting the lighting system, to prevent the balloon light assembly from falling down or being damaged in transport.

- Do not use floodlights or generators during transportation.
- For safe transportation, make sure to tighten the adjust lever on the balloon lamp section to prevent any movement.
- During transportation, please be cautious and make sure your feet do not get caught in the tires.
- Make sure to properly fit and secure the protective cover onto the balloon light assembly before transporting it.
- Prior to transporting at high speeds or over rough terrain, make sure to detach the balloon light assembly to prevent it from falling off or getting damaged..

Please securely fixed

DANGER

When transporting by a vehicle, ensure that the four jack stands are positioned to permit their foot bases even contact with the deck floor. Please fix it with a rope, or appropriate fixings. The lighting system may be damaged or fall, resulting in a serious accident.

- The lamp or the generator could be damaged if the lighting system gets a shock.

Beware of the height

DANGER

To avoid the risk of losing balance and falling over, always retract the mast when in motion.

DANGER

Transporting the lighting system while the mast extended could collide with overhead obstructions.

Contact with overhead power lines or other obstructions could result in equipment damage, electrical shock, electrocution and even death.

- Always lower the mast fully and fold the lamp stand before transporting the lighting system, to prevent the lighting systems from bumping into a tunnel or against a guard during transport in a truck. Please lock the fold lever.

◆ Height when stored : 2.1(m)

Be careful with the movement of a slope

⚠ DANGER

To ensure safety, remember to secure the lighting system properly during transportation by vehicle.

If not secured, the lighting system may run out of control and harm by colliding with personnel.

- Secure the lighting system firmly with a rope or other means when transporting it by vehicle.

⚠ DANGER

Trying to manually move the lighting system up a slope could result in the tower losing control and causing a dangerous accident.

Be careful when you load to the track

⚠ DANGER

Be cautious when loading and unloading on slopes or unstable surfaces as it may cause the lighting system to fall and cause damage or injury.

⚠ DANGER

To prevent damage or injury, it is important to take precautions when releasing the brake of the lighting system.

It is important to note that if the brake is released, the light tower may move due to its weight and potentially fall, causing harm or damage.

Always use wheel chocks and jack up the lighting system before releasing the brake.

Additionally, keep an eye on the movement of it during work to ensure safety.

- Unloading work please be done in a flat place.

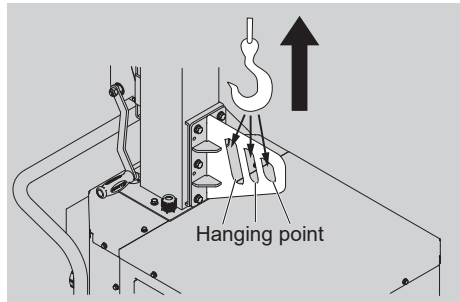
Please use the designation of hanging points

⚠ DANGER

Never lift up the lighting system at any points except the specified one. Using the other point could result in bodily injuries.

- To ensure proper weight distribution, refer to the figure on the right and select the most suitable lifting point.

It is important to ensure that the lighting system is properly balanced before attempting to lift it.



⚠ DANGER

Lower the mast fully when moving or lifting the lighting system. Failure to do so could cause the wire to be come off or the lighting system to be overturned and result in bodily injuries.

⚠ DANGER

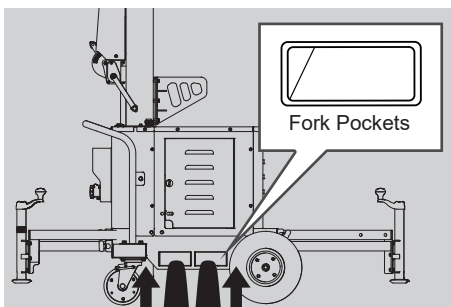
Do not hang in strong winds.

Be careful to forklift work

⚠ DANGER

Be careful not to make a sudden stop or a short turn when conveying lighting system by forklift, to prevent it from falling down.

- When using a forklift to transport the lighting system, make sure to fully insert the claws into the lower fork pocket.

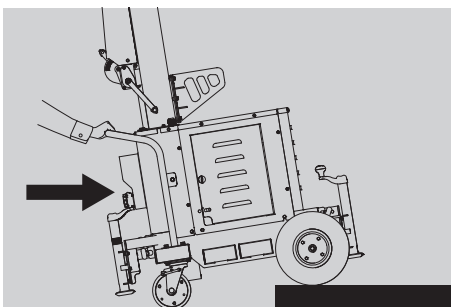


Do not climb over the steps from the caster side

⚠ DANGER

Attempting to climb over a step from the caster side may cause the equipment to tip over, resulting in a severe accident.

- For a safe climb over a step, ensure that you approach it from the side of the tire.



Never put LED unit/balloon assembly directly during transport

⚠ CAUTION

Placing the balloon directly on a platform of truck could lead to a damage to the balloon.

- When transporting, make sure to apply the protective cover and fix on the truck.

Do not apply any strong impacts

⚠ CAUTION

A strong impact could damage the lamp and shorten the product life significantly.

- Be careful when moving, transporting, loading and unloading.

Please take a moment to assess your surroundings to ensure your safety

⚠ CAUTION

Please be aware that the lighting system is quite heavy and could cause harm or damage if collides while in motion.

- Please ensure there are no individuals or objects close before moving the lighting system.
- Please take care to avoid rolling over your own feet while moving the lighting system.

■ Balloon

Do not touch the lamp when lamp is on

▲WARNING



Do not touch the balloon part due to the high heat emitting. Allow it to cool down sufficiently before working on it.

▲CAUTION

ALWAYS keep the balloon away from fire, excessive amount of heats and sharp objects. Replace balloon immediately if damaged.

A damaged balloon will not inflate properly, and may become more damaged by touching the hot lamp surface.

- Depending on the ambient temperature, the surface temperature of the balloon could increase to 80° (800W). Avoid touching it to prevent burns.
- ALWAYS keep the balloon away from sharp objects and excessive amounts of heat. Replace balloon immediately if damaged.
A damaged balloon will not inflate properly, and may become more damaged by touching the hot lamp surface.

Do not turn on the lamp while it is stored

▲CAUTION

Please ensure that the zippers are fully closed when in use.

ALWAYS place the balloon light assembly inside its protective cover after each use

▲CAUTION

Balloon cloth is a consumable item.

Exposure to excess wind or rain could damage the balloon cloth.

- Always ensure the zippers at the top and bottom are closed.
- ALWAYS place the balloon inside its protective cover after each use. Wipe off dirt and mud before storage.

■ Generator

It is important to avoid starting or stopping the generator while the lamp switch is turned on

⚠CAUTION

It is important to avoid starting or stopping the engine when the lamp switch is on, as this could potentially harm the generator.

- After starting and stopping the engine, the generator's status is unstable. It is important to wait until the generator is stabilized before turning on the lighting system.

Use appropriate generators

⚠CAUTION

It may not light up due to generator matching issues.

- Use a generator with an output of 1.5kVA or more.
- If an output power of the generator is not appropriate, the life of the generator will be shortened and the lamp may turn off or blink.

Make sure the generator is fixed

⚠CAUTION

The generator may fall and cause injury.

- When mounting a generator on the flat base, always secure it with optional items, eyebolts, lashings, etc.

Always remove the cover when operating a generator

- Always remove the rear cover when using the lighting system with a generator to prevent any potential damage to the generator.

Please observe the handling precautions of generator

- Failure to read generator manual could cause severe damage to the equipment and bodily harm to the operator.

■ Operation

Please note electric shock and leakage

⚠ DANGER



NEVER operate lighting system or handle any electrical equipment while standing in water, while barefoot, while hands are wet or in the rain. A dangerous electrical shock could occur, causing severe bodily harm or even death.

- The lighting system is not waterproof. Do not use it in rain or snow, in a place where it may be splashed with water, or immerse it in a puddle.
- STOP using the system immediately if submerged in water.

Please note the power plug and terminals

⚠ DANGER



Do not touch the power plug or terminals during operation. There is a risk of electric shock.

⚠ DANGER

ALWAYS stop using immediately, if the AC cable generates excessive amount of heats.

- Make sure that the power plug is free of dirt and foreign substances before inserting it firmly into the outlet.
- Unplug the power plug when not in use.

Please note the ambient temperature.

- Please operate in temperatures between -10 to 40 Celsius.

⚠ CAUTION

If the product is used in an environment with an ambient temperature of 104°F(40°C) or higher, it will begin to blink. In some cases, the light may go off.

Do not apply any strong impacts

⚠ CAUTION

A strong impact could damage the lamp and shorten the product life significantly.

Please check the capacity of the generator when using the lighting system with other equipment.

- If there are any electrical appliances connected to the generator, please ensure that there is enough electrical capacity available for the lighting system .
- Connecting a load that exceeds the power generation capacity will cause the lamp to turn off.

■ Lifting operation of mast

Please be careful when you raising and lowering the mast

DANGER

Corrosion and wire rope, please as soon as possible exchange when the fray has occurred.

DANGER



Always make sure the area above the lighting system is open and clear of overhead power lines and other obstructions. Contact with overhead power lines or another obstructions would result in equipment damage, electrical shock, electrocution and even death.

WARNING



Be careful not get your fingers caught in the mast when raising and lowering the mast.

CAUTION

When raising the mast, please make sure that there is nothing overhead. When the mast is in contact with equipment and contact matter, it may be damaged.

CAUTION

Pay attention to the lamp cable. If it becomes entangled, there is a risk of disconnection or damage.

- Please check the safety of surroundings before raising or lowering the mast.

■ Inspection, maintenance and storage

▲WARNING



Do not touch the balloon part due to the high heat emitting. Allow it to cool down sufficiently before working on it.

Please inspect and maintain

- Before and after use, be sure to remove mud and dirt, and perform inspection and maintenance such as lubrication and grease up.
- Wipe dirt or foreign matter that may have accumulated during operation.
- If you experience any issues or abnormalities while using the product, please cease usage immediately and conduct an inspection and maintenance.

Storage

- Wipe off dirt and mud before storage. Lubricate and grease up the metal parts.
- Balloon cloth is a consumable item. Exposure to excess wind or rain could damage the balloon cloth.
- After lowering the mast, to loosen the tension of the wire rope.
- Tilt the lamp mount, accommodating the projector equipment.
- Put on the brake and avoid the place that is exposed to rain and high temperature and humidity.
- When storing it, remember to jack it up.
- Please store it indoors as much as possible.
- ALWAYS store equipment properly when it is not being used.
- If it is unavoidable to store it outdoors, cover it with a tarpaulin to avoid exposure to rain and snow.

■ General Safety

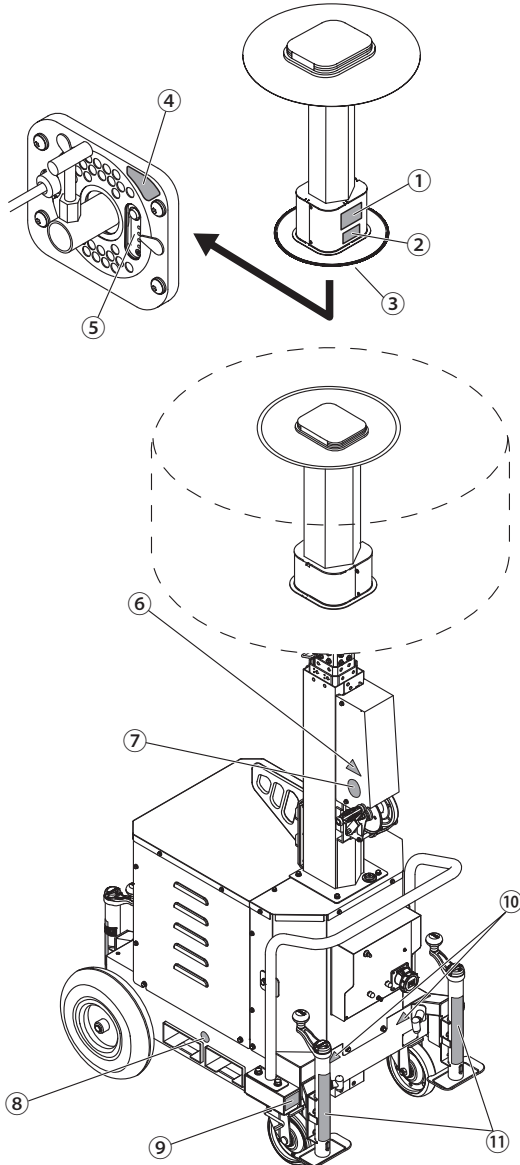
Please take general safety


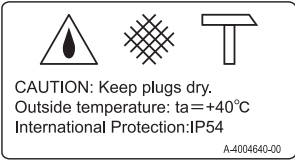

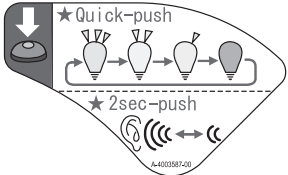
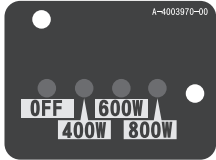



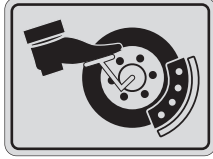


- Never operate this product under the influence of drugs or alcohol.
- Never operate this product when not feeling well due to fatigue, illness or when under medication.
- Please do not handle while wearing baggy cloth, ornaments which could possibly get caught in machine parts, or avoid wearing clothes with oil attached they can easily be flammable.
- Please dress properly for preventing injury, please wear a shoes with slipping protection.
- Please do not modify.
- Please take a look at surrounding when operating, and ensure the safety.
- If the external flexible cable or cord of this luminaire is damaged, it shall be exclusively replaced by the manufacturer or his service agent or a similar qualified person in order to avoid a hazard.

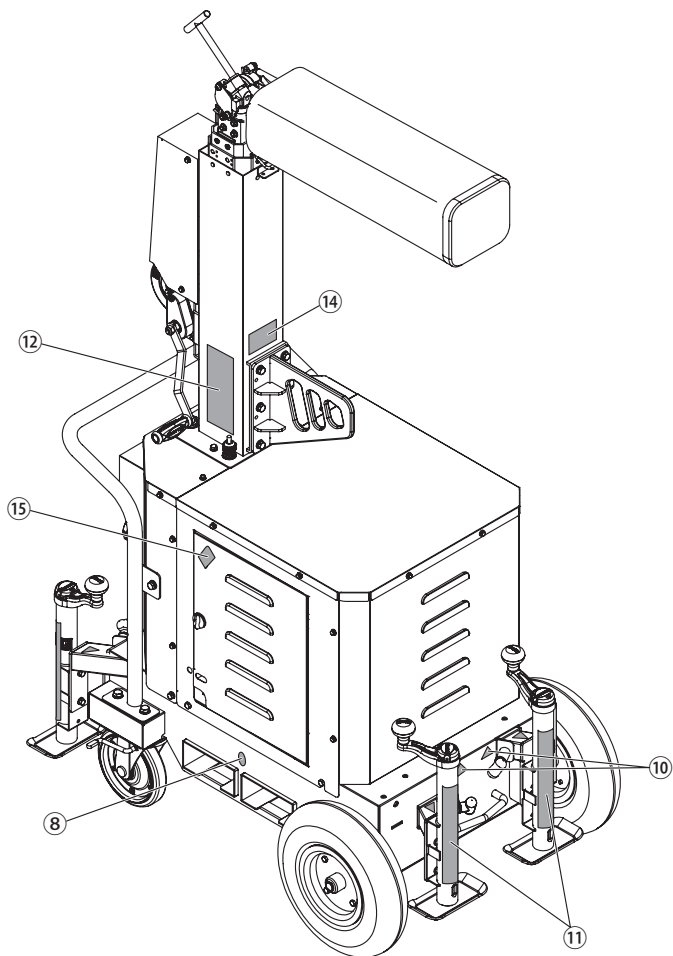
Location of Warning Labels

⚠WARNING

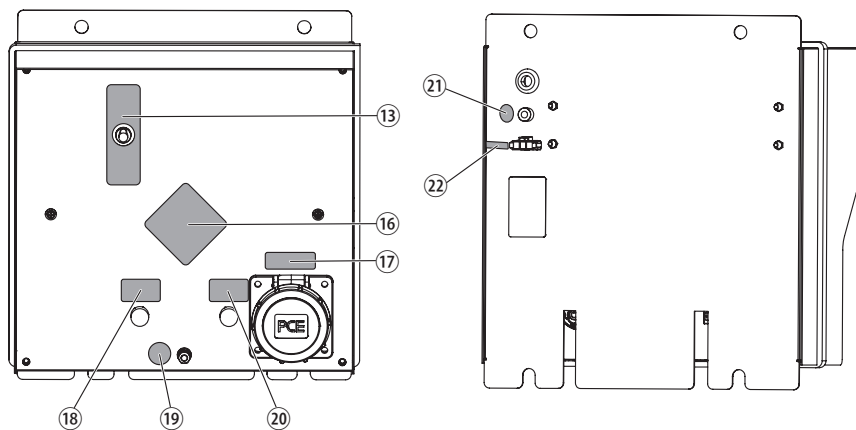
This lighting system is equipped with a number of safety decals. These decals are provided for operator safety and maintenance information. The illustrations below and on the next page show these decals as they appear on the machine. Should any of these decals become unreadable, replacement can be obtained from your dealer.



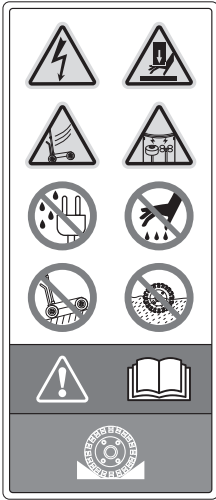
<p>①A-4002538-00</p> 	<p>②A-4004640-00</p>  <p>CAUTION: Keep plugs dry. Outside temperature: $t_a = +40^{\circ}\text{C}$ International Protection: IP54 A-4004640-00</p>
<p>③A-4003728-00</p> 	<p>④A-4003587-00</p>  <p>★ Quick-push ★ 2sec-push A-4003587-00</p>
<p>⑤A-4003970-00</p>  <p>A-4003970-00 OFF 600W 400W 800W</p>	<p>⑥A-4005845-00</p> 
<p>⑦A-4005795-00</p> 	<p>⑧A-4005796-00 (Both sides)</p> 
<p>⑨A-4005797-00 (Both sides)</p> 	<p>⑩A-4004478-00 (All outriggers)</p>  <p>A-4004478-00</p>
<p>⑪A-3004693-00 (All jackstands)</p> 	



[CONTROL BOX]



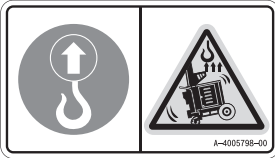
⑫A-4005843-00



⑬A-4005574-00



⑭A-4005798-00



⑮A-4005800-00



⑯A-4005560-00



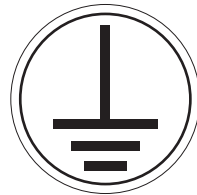
⑰A-4005775-00



⑱A-4005776-00



⑲A-4004573-00



⑳A-4005777-00



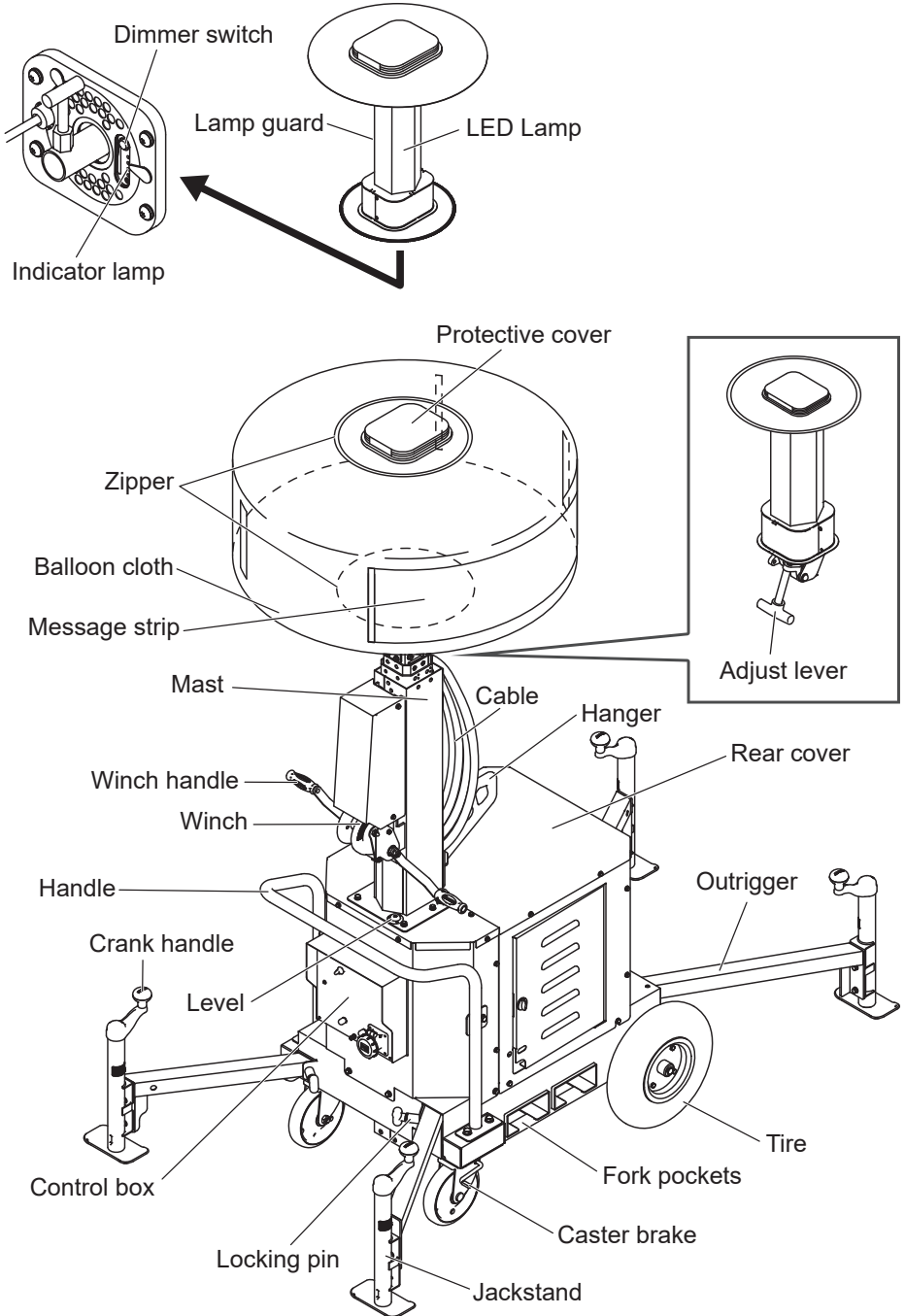
㉑A-4003728-00

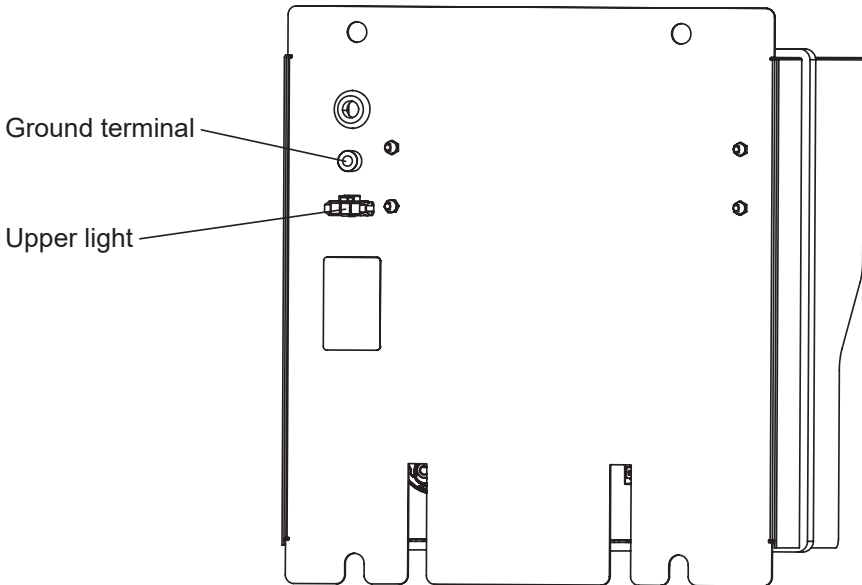
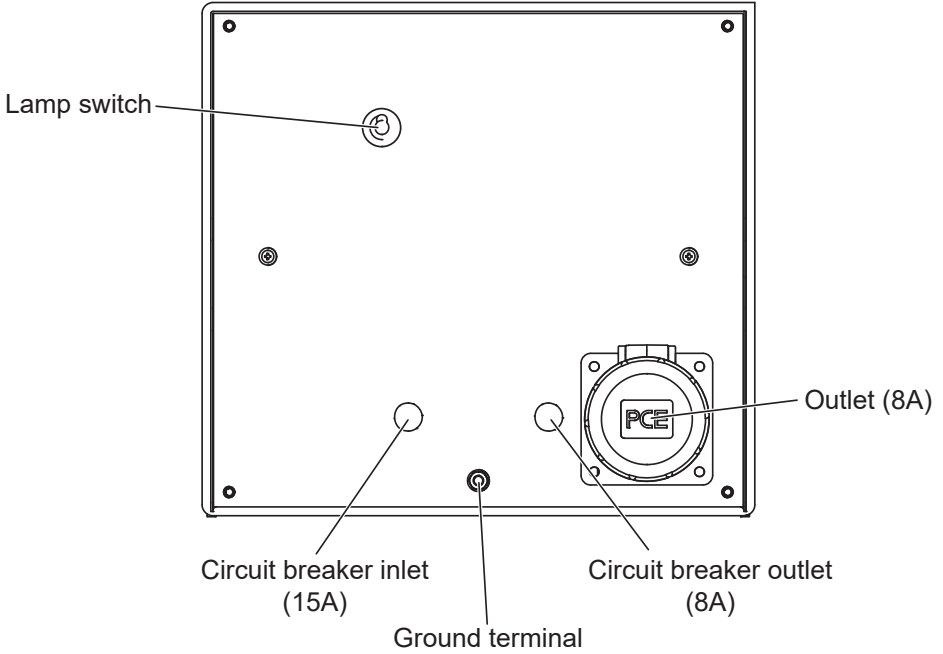


㉒A-4005579-00



Product overview





Operating

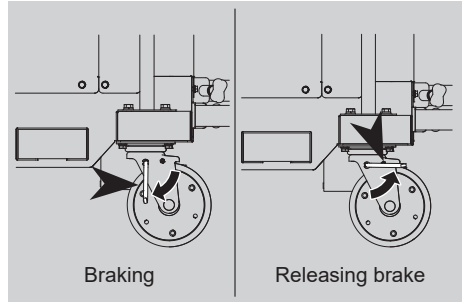
■ Caster brake

Braking

- Push both sides of the caster brakes down to lock.

Releasing brake

- Draw the caster brakes upwards to release the brake lock.

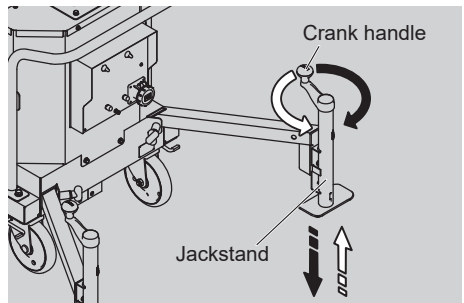
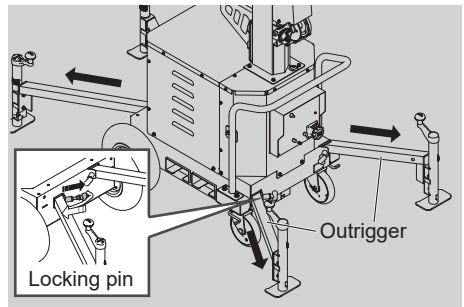


⚠ DANGER

When parking on a sloping road or ground, be sure to provide stoppers using stones or blocks for the wheels with as well as apply the brake lock. Without them, the lighting system could move and cause accidents or injuries.

■ Outriggers and jackstands

1. Place the lighting system on secure level ground with chock blocks underneath each wheel to prevent the lighting system from rolling.
2. Make sure all outriggers are extended.
3. As soon as the pin clears the hole, release it and continue sliding out the outriggers. The pin must snap into the outriggers locking hole in the extended position.
4. After extending all outriggers, place all trailer jack stands into working position. Turn the jack handle on the jack stand clockwise to lower it and level the lighting system.



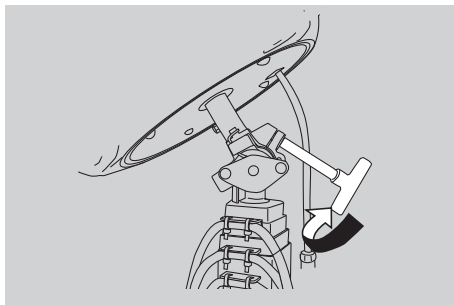
⚠ WARNING



When operating the jack stand, be careful not to bump your hand or pinch your fingers.

■ Lighting angle operation

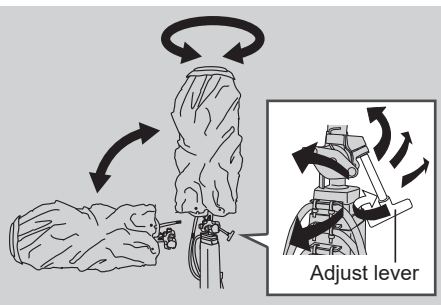
1. Loosen the adjust lever at the bottom of the balloon light assembly.



2. Slowly tilt the adjust lever to the desired position.

⚠ WARNING

Before adjusting the balloon light assembly's position, please ensure no obstructions are around. Please place your hands on the balloon light assembly and tilt it down slowly.



⚠ WARNING

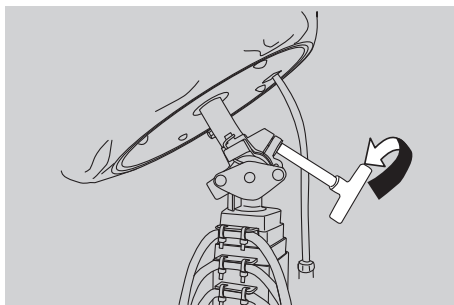


Please take note to adjust the angle of the balloon light assembly only when it is securely placed on the mast. Be mindful of the rotating part to avoid pinching your hands.

3. After adjustment, please tighten the adjust lever.

⚠ DANGER

Once you have made the necessary adjustments, please make sure to tighten the adjust lever securely. Failure to do so may result in the LED lamp falling off and causing serious harm.



■ Mast operation

⚠ DANGER

Corrosion and wire rope, please as soon as possible exchange when the fray has occurred.

⚠ DANGER



Always make sure the area above the lighting system is open and clear of overhead power lines and other obstructions. Contact with overhead power lines or another obstructions would result in equipment damage, electrical shock, electrocution and even death.

⚠ WARNING



Be careful not get your fingers caught in the mast when raising and lowering the mast.

⚠ CAUTION

When raising the mast, please make sure that there is nothing overhead. When the mast is in contact with equipment and contact matter, it may be damaged.

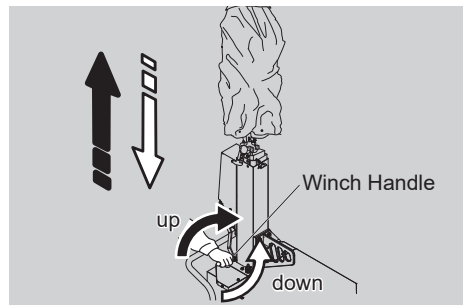
⚠ CAUTION

Pay attention to the lamp cable. If it becomes entangled, there is a risk of disconnection or damage.

- Please check the safety of surroundings before raising or lowering the mast.

How to adjust the height of light

- Turn the winch handle to raise or lower the mast for adjusting height of lights. Turning the winch handle to the right (clockwise) and left allows the mast to be raised and lowered respectively.



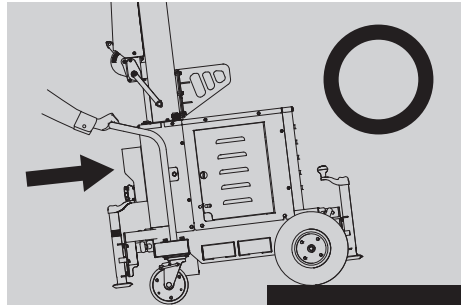
Overcoming steps

⚠ DANGER

Attempting to climb over a step from the caster side may cause the equipment to tip over, resulting in a severe accident.

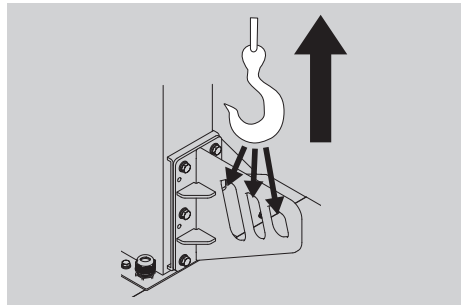
- If you try to climb over a step from the caster side, the equipment may tip over and lead to a serious accident.

For a safe climb over a step, ensure that you approach it from the side of the tire.



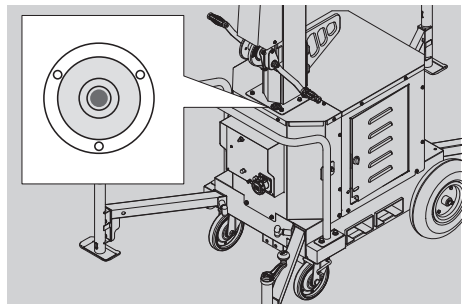
Hanging operation

- To ensure proper weight distribution, refer to the figure on the right and select the most suitable lifting point.



Level

- Adjust the outriggers so that the air bubble is in the middle of the level.

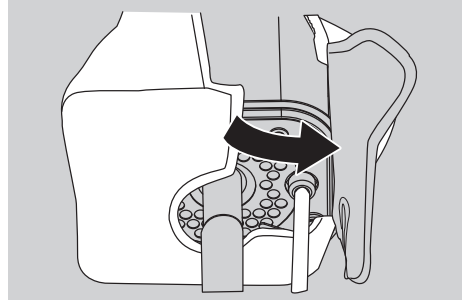


Lights on / Lights off

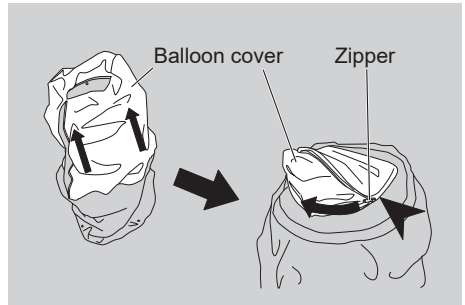
Balloon

Balloon cover removal

1.Remove the velcro from the balloon cover and open the zipper.

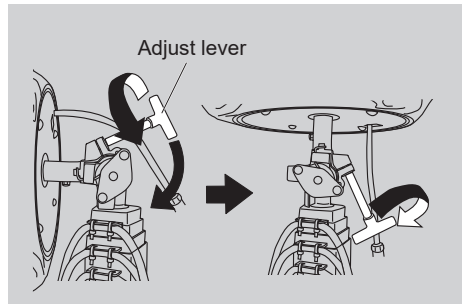


2.Fold the protective cover into itself and zip up.



Preparation for turning light on

- 1.Loosen the adjust lever.
- 2.Shift the adjust lever forward with a firm hand to smoothly adjust the LED lamp.
- 3.Tighten the adjustment lever.



⚠ DANGER

Once you have made the necessary adjustments, please make sure to tighten the adjust lever securely. Failure to do so may result in the LED lamp falling off and causing serious harm.

⚠ WARNING

Before adjusting the balloon light assembly's position, please ensure no obstructions are around. Please place your hands on the balloon light assembly and tilt it down slowly.

⚠ WARNING

Please take note to adjust the angle of the balloon light assembly only when it is securely placed on the mast. Be mindful of the rotating part to avoid pinching your hands.

■ Turning Lights ON

Powering from Generator

⚠CAUTION

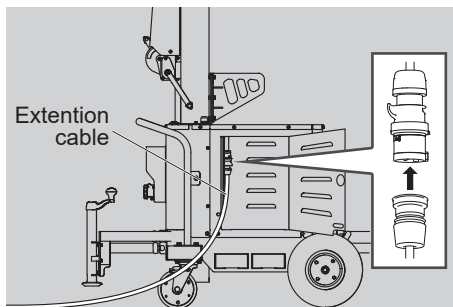
Starting and stopping the generator with the AC switch in the ON position may cause the generator to malfunction. If the generator does not have an AC switch, start / stop the generator with the plug unplugged.

- ◆Make sure oil, fuel and battery liquid are filled.
- ◆If there are any electrical appliances connected to the generator, please ensure that there is enough electrical capacity available for the lighting system.

1. Start the generator. (Please check the instruction manual of your generator for the starting procedure.)
2. Once the generator has stabilised, plug the power plug into the outlet.

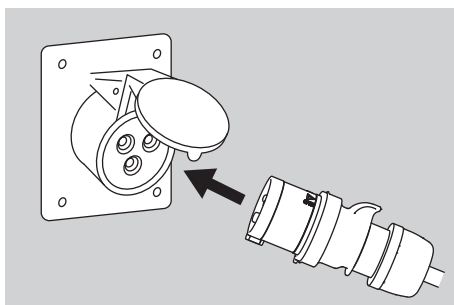
Powering from commercial power supply

1. Open the cover door and insert the extension cable into the internal connector.

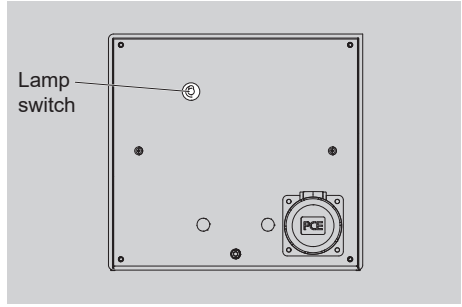


2. Insert the extension cable into the commercial power supply.

◆Plug standards : IEC 60309 16A 3P6h

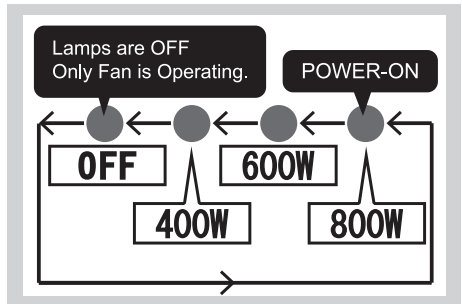
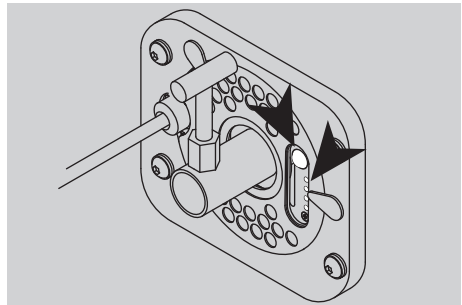


3. After plugging in, lighting can be turned on and off with the lamp switch.



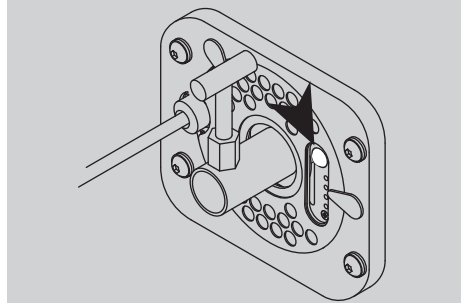
Operating Dimmer Switch

- The lighting system starts at 800W. Press the dimmer switch to control the brightness of the light. The light can be turned off or set to 400W, 600W or 800W. The corresponding LED indicators will light in red when selected.



Operating Silent Mode

- The noise coming from the unit during operation can be eliminated. Press and hold the dimmer switch for 3 seconds.



◆ Blue LED on the center of the switch flashes in the silent mode.

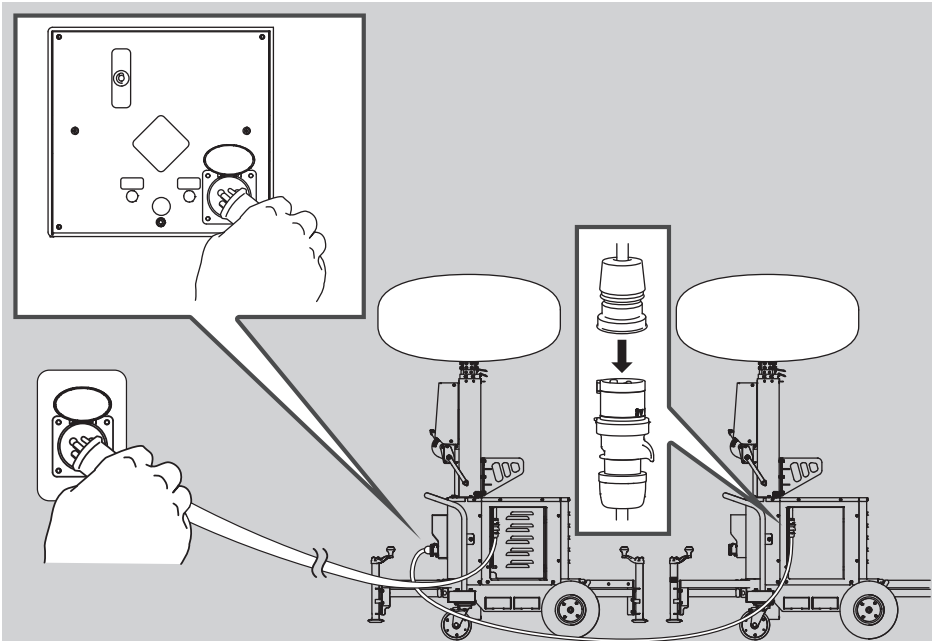
- The silent mode works in only 400W. The dimming control is only available in order of [OFF] ⇄ [400W].
- To switch back to normal mode, press and hold the dimmer switch for 3 seconds. The blue LED will stop flashing.

◆ When unit restarts, it reverts to the normal mode even if the silent mode was selected prior to shutdown.

Connecting multiple units

- To connect the units, please refer to the below figure.

◆ Plug standards : IEC 60309 16A 3P6h



Extension cable



Using cables with an incorrect wire diameter could cause malfunctions or even lead to ignition.



It is important to take action promptly when dealing with faulty wires or burnt coverings as they can cause electrical leakage or malfunctions.

- To ensure proper usage of the extension cable, please refer to the table on the right and select the appropriate cable.
Additionally, please exercise caution to avoid stepping on or pinching the cable with the lighting system.

Single use			
Distance	Cable size unit(1)	Cable size unit(2)	Cable size unit(3)
30m	0.5sq	N/A	N/A
50m	0.5sq		
100m	0.75sq		

(2)Units use			
Distance	Cable size unit(1)	Cable size unit(2)	Cable size unit(3)
30m	0.75sq	0.75sq	N/A
50m	0.75sq	0.75sq	
100m	1.5sq	1.5sq	

(3)Units use			
Distance	Cable size unit(1)	Cable size unit(2)	Cable size unit(3)
30m	1.5sq	1.5sq	1.5sq
50m	1.5sq	1.5sq	1.5sq
100m	2.5sq	2.5sq	2.5sq

■ Turning Lights OFF

Powering from Generator

- Turn off the AC switch of the generator.
- Stop the generator.

◆ Remember to turn off the generator as the final step.

Powering from commercial power supply

- Make sure the power switch is off and unplug from the Power Supply.

Storage

⚠ WARNING



Do not touch the balloon part due to the high heat emitting. Allow it to cool down sufficiently before working on it.

⚠ WARNING

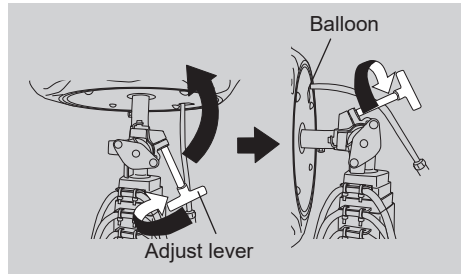


When adjusting the angle, be mindful of the rotating part to avoid pinching your hands.

1. Start by loosening the adjust lever.
2. With your hands on the lamp, carefully tilt the adjust lever diagonally upwards. This will position the LED lamp horizontally.
3. Finally, tighten the adjust lever to secure the position.

⚠ DANGER

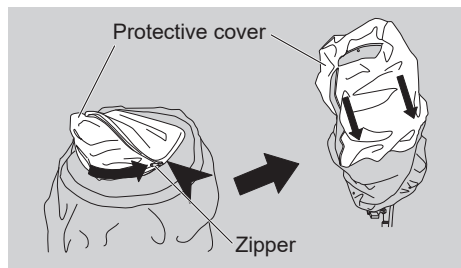
Once you have made the necessary adjustments, please make sure to tighten the adjust lever securely. Failure to do so may result in the LED lamp falling off and causing serious harm.



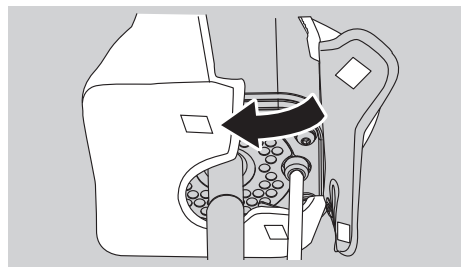
⚠ CAUTION

Before adjusting the balloon light assembly's position, please ensure no obstructions are around. Please place your hands on the balloon light assembly and tilt it down slowly.

4. Unzip the zipper of the protective cover and roll down it over the balloon cloth.



5. Please ensure to close both the zipper and the loop fastener securely.



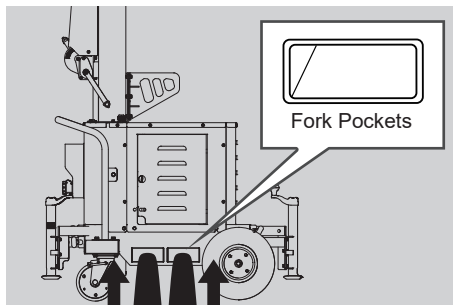
Conveyance by forklift

⚠ DANGER

Be careful not to make a sudden stop or a short turn when conveying lighting system by forklift, to prevent it from falling down.

◆ Please completely lower the mast.

- Please make sure to fully insert the claws into the lower fork pocket.



How to Replace Parts

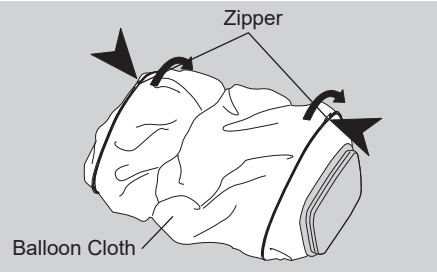
⚠WARNING



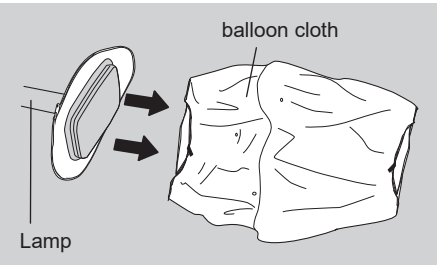
Do not touch the balloon part due to the high heat emitting. Allow it to cool down sufficiently before working on it.

Replacing balloon cloth

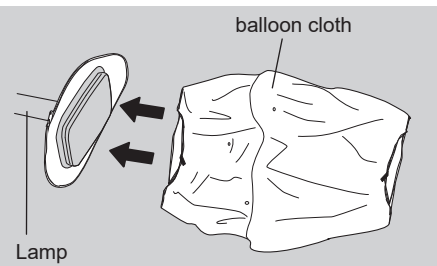
1. Please tilt down the LED lamp horizontally with the adjust lever.
2. Unzip the zippers at the top and bottom of the balloon cloth.



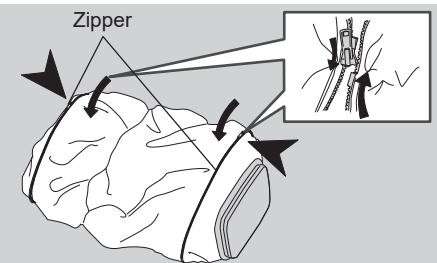
3. Slide the old or worn balloon cloth over the top of the lamp guard assembly.



4. Slide the new balloon cloth over the top of the lamp guard assembly.

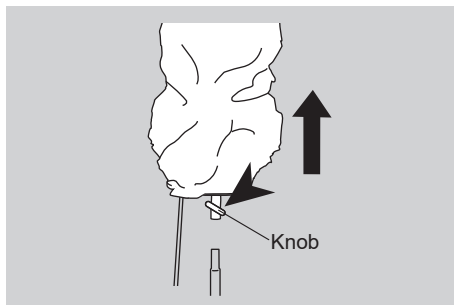


5. Zip up the zippers at the top and bottom of the balloon cloth.

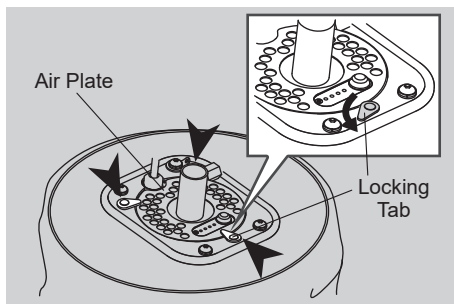


Replacing filter

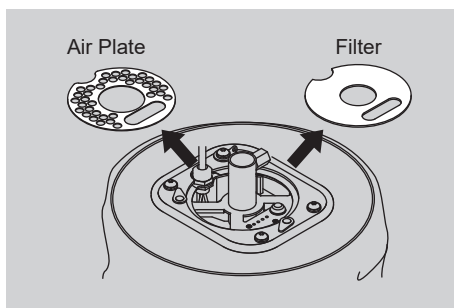
1. Remove the balloon as described on the right.
Turn the balloon assembly upside down to access the filter.



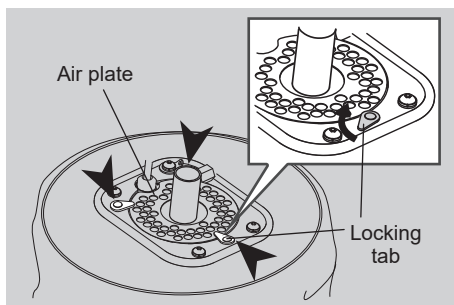
2. Turn the three locking tabs outwards to release the air plate.



3. Remove the air plate and filter.



4. Install a new filter and reinstall an air plate.
Turn three locking tabs inwards to lock the air plate in place.



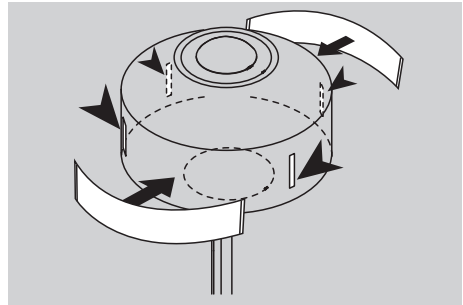
Optional Message Strip

- Prepare the optional message strip.



- Attach the message strips to the velcro.

◆ Message strips fit on both sides of the balloon.



⚠ CAUTION

Always place the messages strips firmly to avoid being blown away by strong winds.

Inspection/Maintenance/Storage

DANGER



If you check the electrical system with the power, there is a risk of a short circuit. Please be careful during the maintenance.

WARNING



Do not touch the balloon part due to the high heat emitting. Allow it to cool down sufficiently before working on it.

■ Inspection/Maintenance

- For a prolonged life cycle and extended quality follow the recommended guidelines.
 - ...Daily Check ○ ...Every 20hrs ● ...Every 100hrs □ ...Every 500hrs(Hours are just an estimation. Please inspect everytime before using the lighting systems.)
(Please read and follow the supplied generator manual for the generator.)

■ General inspection

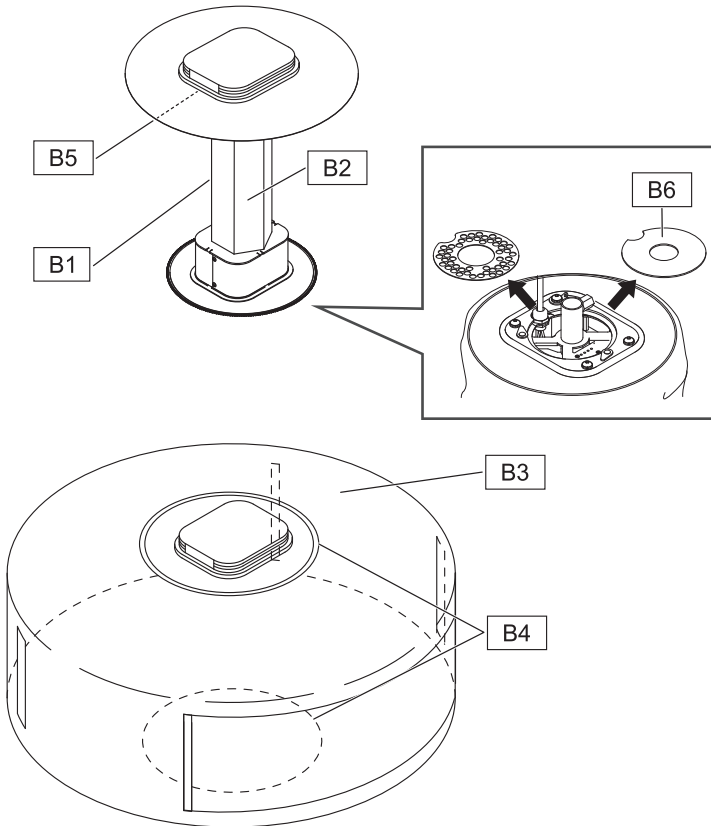
- The lighting system should be cleaned and inspected for deficiencies. Check for loose, missing or damaged nuts, bolts or other fasteners.

■ How to store

- Remove mud and dirt and perform lubrication, grease up.
- Balloon cloth is a consumable item. Exposure to excess wind or rain could damage the balloon cloth.
- After lowering the mast, to loosen the tension of the wire rope.
- Tilt the lamp mount, accommodating the projector equipment.
- Put on the brake and avoid the place that is exposed to rain and high temperature and humidity.
- When storing it, remember to jack it up.
- Follow to the "care of the case for long-term storage" of the same manual generator.

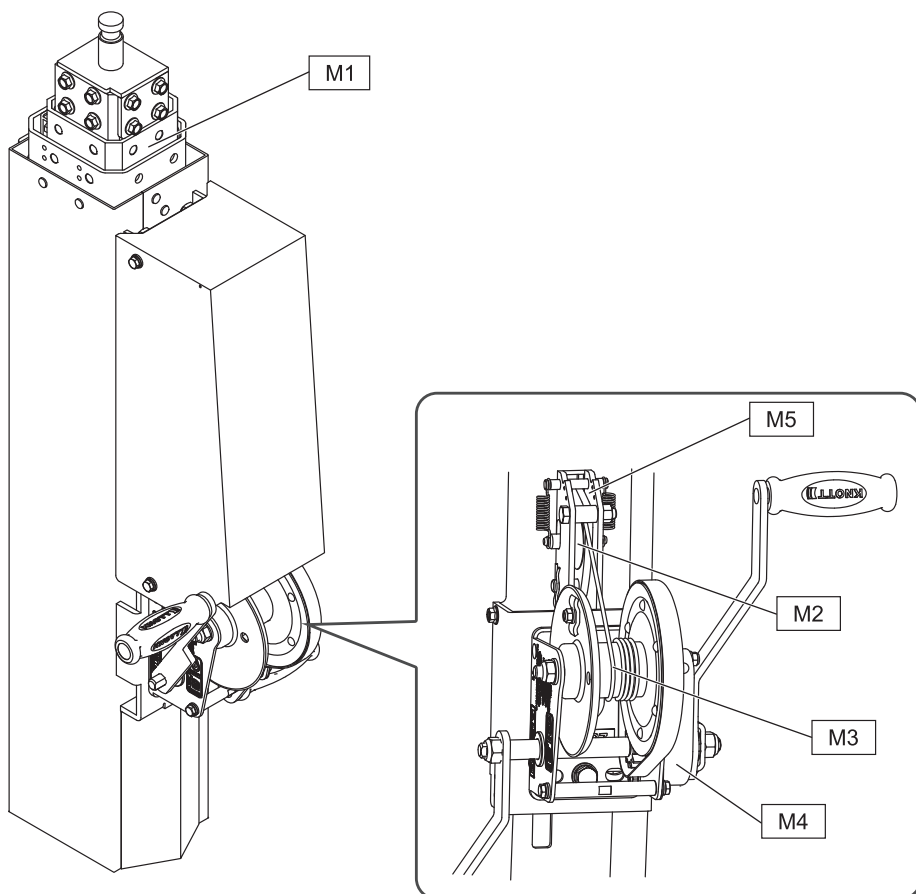
Lamp part maintenance

Fig	Parts	Things to be checked	Solution		
Balloon(B)	1	Lamp guard	Dirty, rusty or damaged?	Clean / Replace	□
	2	LED Unit	Defective LED or broken?	Replace	■
	3	Balloon (Envelope)	Dirty, or ripped?	Replace	■
	4	Zipper	Broken?	Replace	■
	5	Fan motor	Not working properly?	Replace	●
	6	Filter	Dirty?	Clean	■



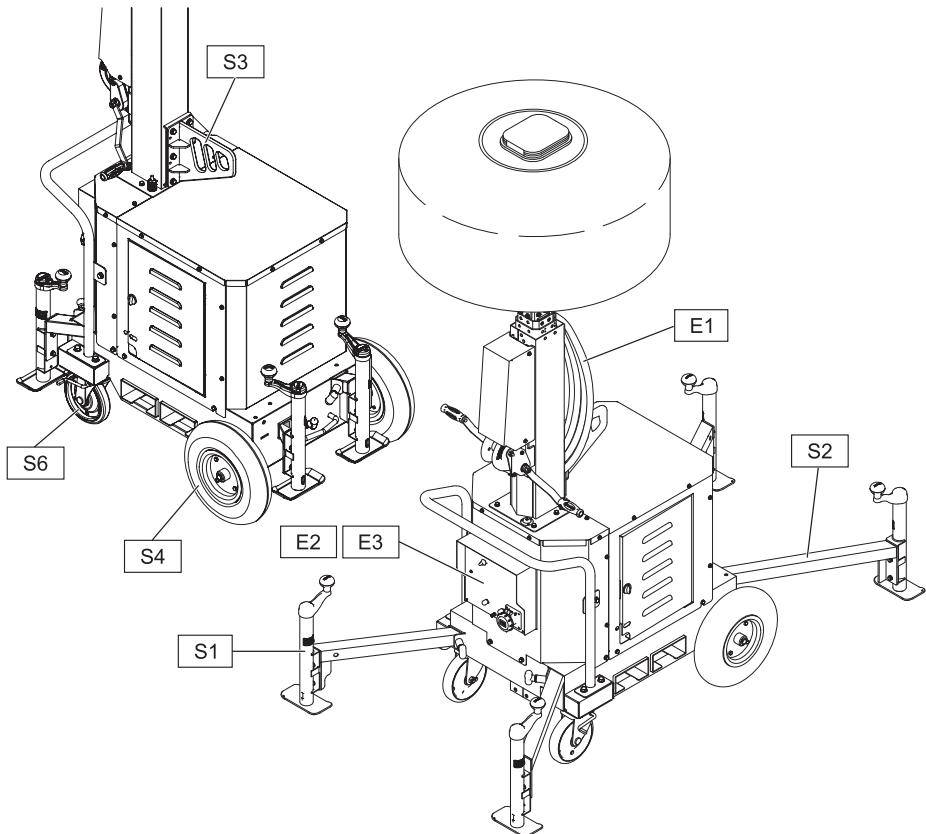
Mast maintenance

Fig	Parts	Things to be checked	Solution		
Mast (M)	1	Mast Sliding Surface	Does not slide smoothly?	Apply grease	●
	2	Pulley at the winch	Does not move smoothly?	Apply grease or replace	●
	3	Wire rope	Any fray, rust, damaged or sharpless?	Grease up or replace	■
	4	Winch brake	Brake works properly?	Replace	■
	5	Safety Stopper	Loosen the wire rope and stopper jutting out?	Repair needed	■



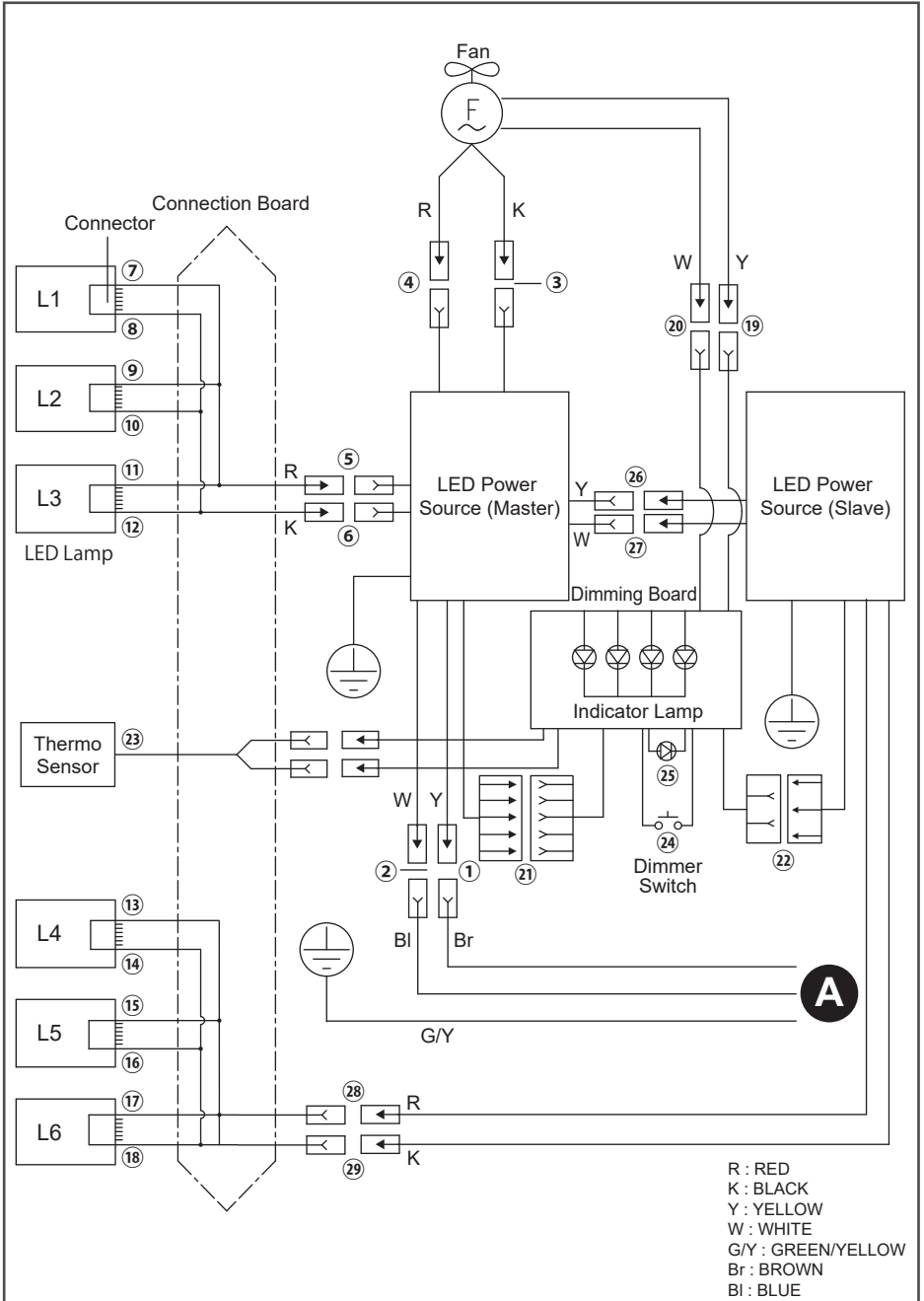
Base of the lighting system / Electrical wiring connector maintenance

Fig	Parts	Things to be checked	Solution		
Lighting system (S)	1	Jack	Operates smoothly?	Grease up	■
		Lock pin works properly?	Replace		
	2	Outrigger	Shape changed?	Replace	■
			Lock pin works properly?	Replace	
	3	Hanger	Damaged?	Replace	■
	4	Tire	Damaged?	Replace	■
5	All of the bolts and nuts	Damaged or loosened?	Tighten properly/ Replace	○	
6	Caster	Damaged or Brake works properly?	Replace	○	
Electrical (E)	1	Lamp cable	Tangled or damaged?	Untangle or replace	■
	2	Each switch	Works properly?	See the troubleshooting	■
	3	Connectors on the control box	Connected properly?	Repair needed	●
Connectors burnt ?			Replace		

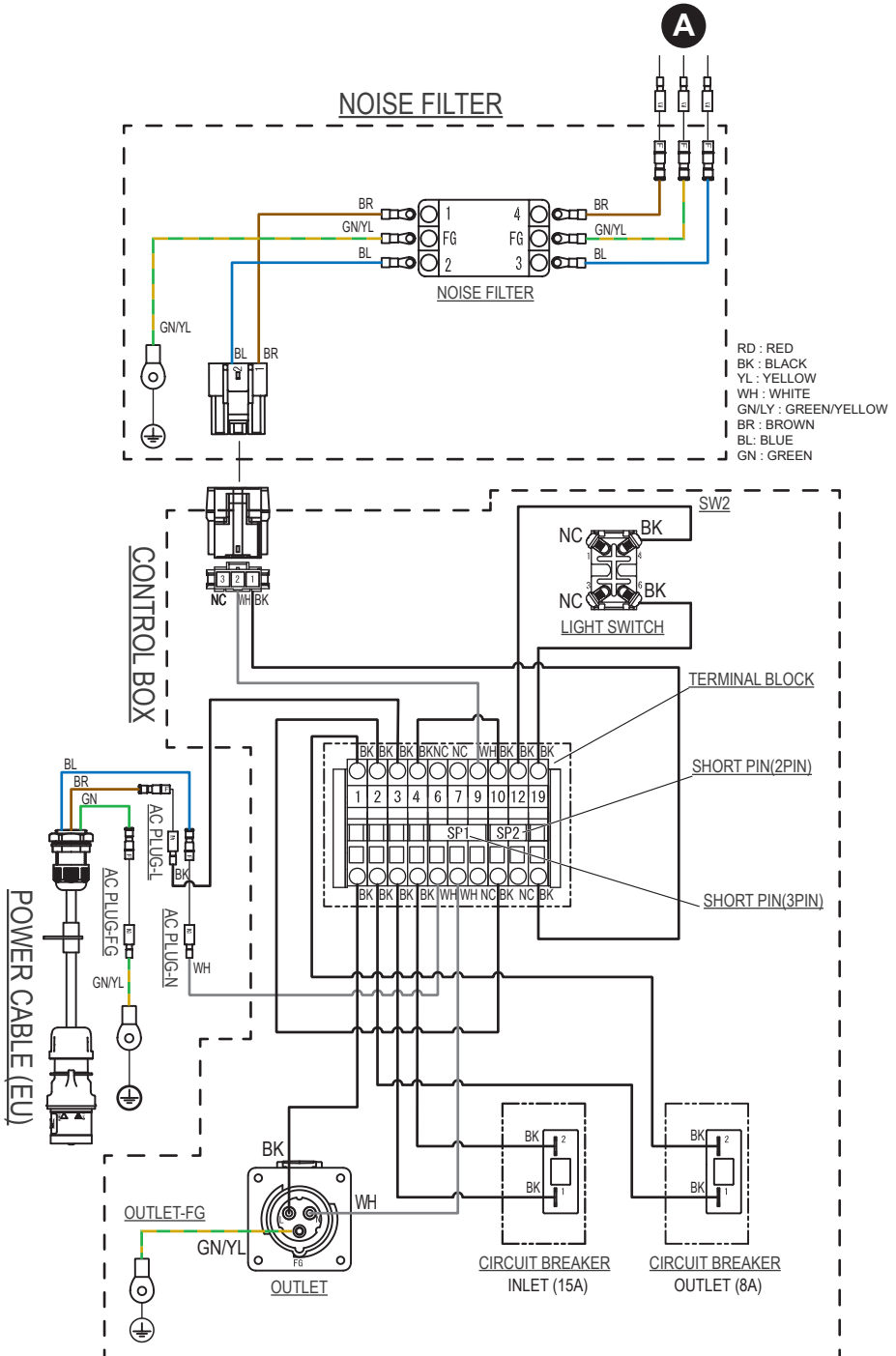


Circuit Diagram

Balloon



Control box



Troubleshooting

■ Lighting units

Precheck

- The specified voltage (AC230V) is coming out from the power outlet.
- The cable is connected properly.

Reference

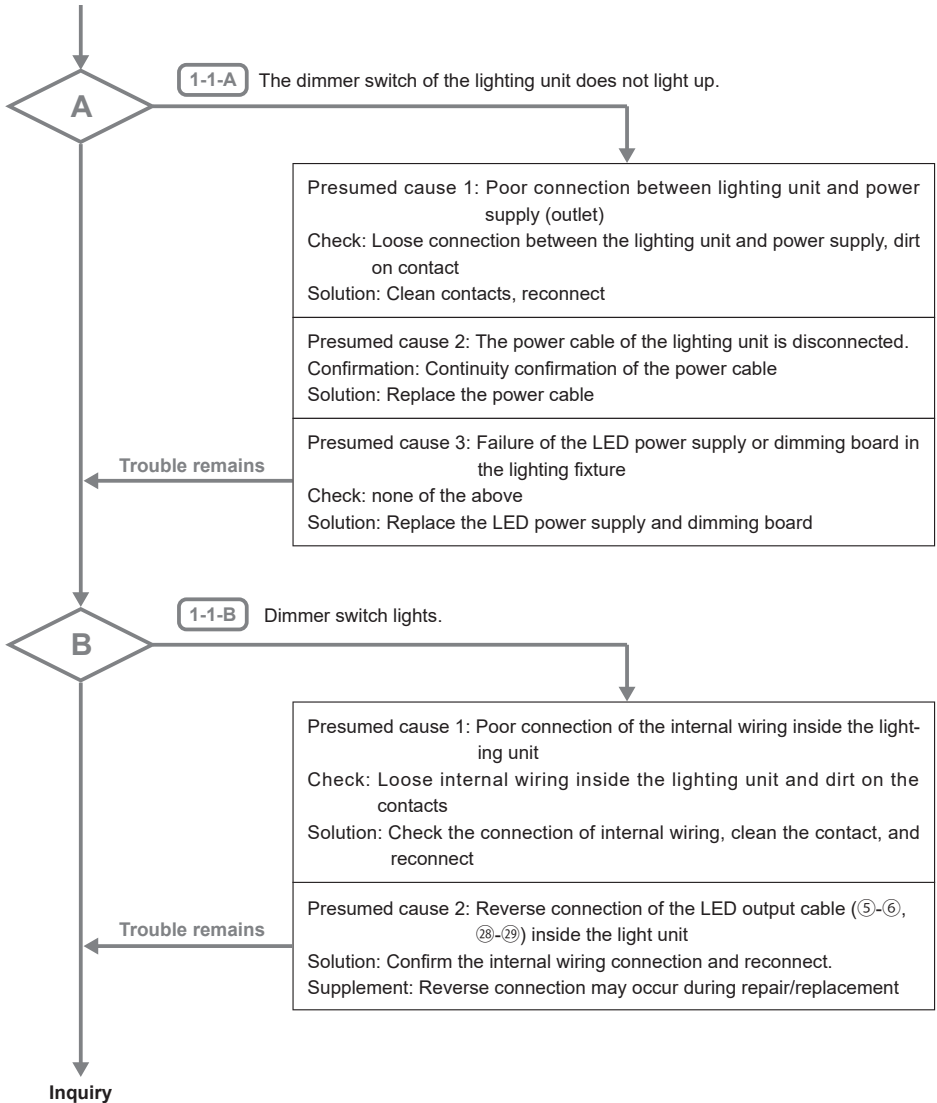
- Circuit Diagram balloon
- Product overview

Attention of the operation

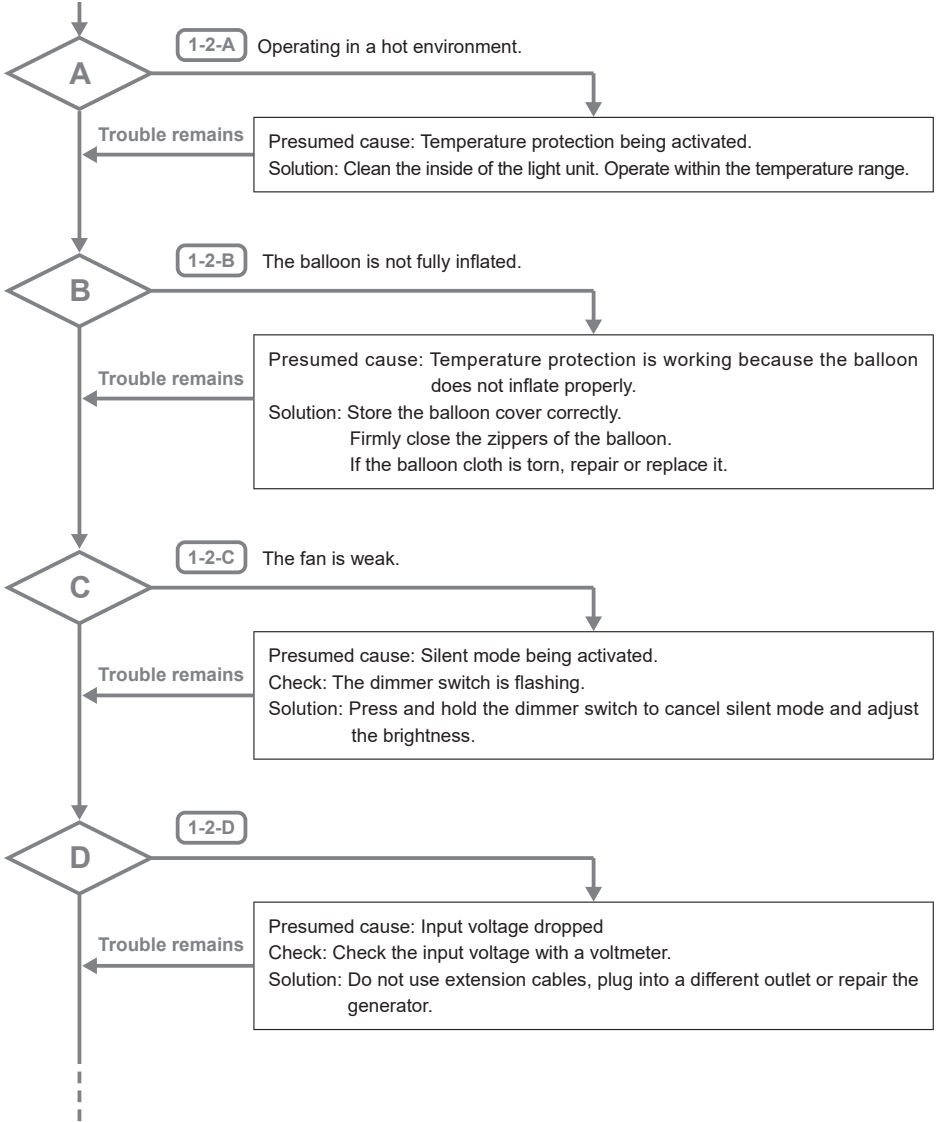
- Before performing any wiring operation, it is necessary to wait for at least one minute after turning off the power.
- Be careful not to get an electric shock.
- Do not work unless you have sufficient knowledge of electricity.

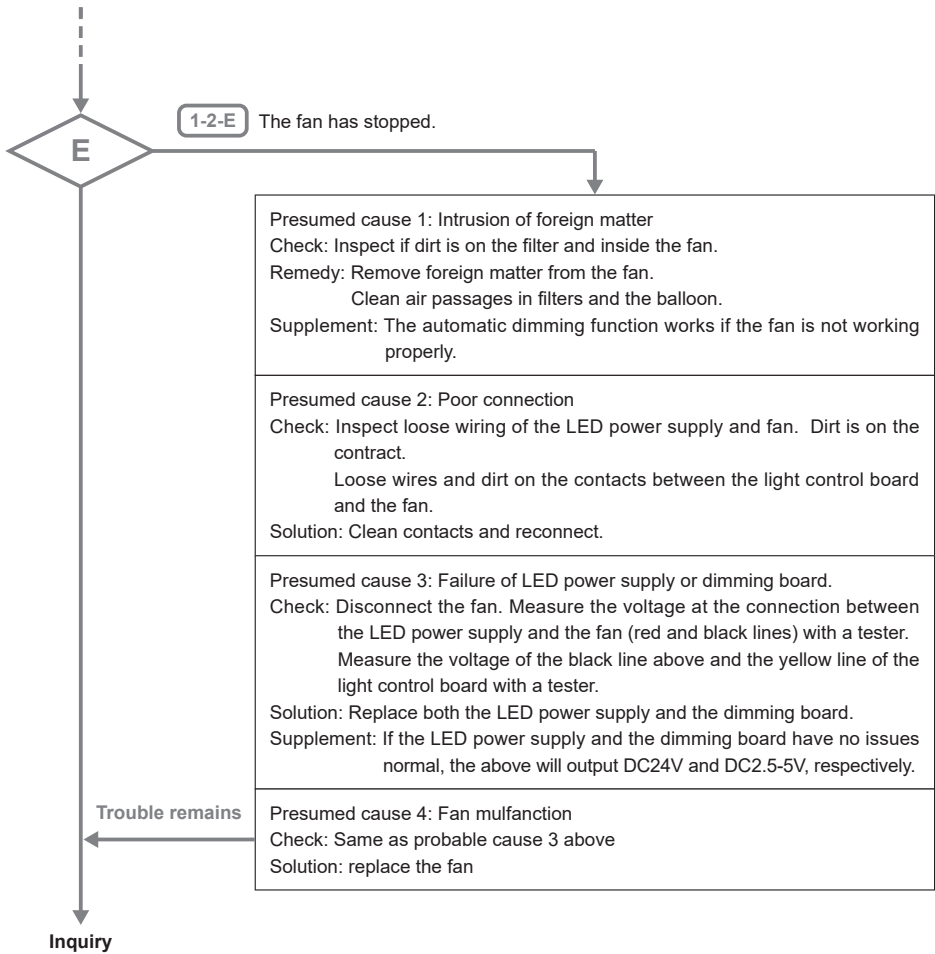
- | |
|---|
| <ul style="list-style-type: none">1-1. The lighting unit does not light up1-2. The light automatically dims / turns off1-3. Dimming does not work1-4. It lights up, but it is dark1-5. Some LEDs do not light up1-6. The balloon is not fully inflated |
|---|

1-1. The lighting unit does not light up

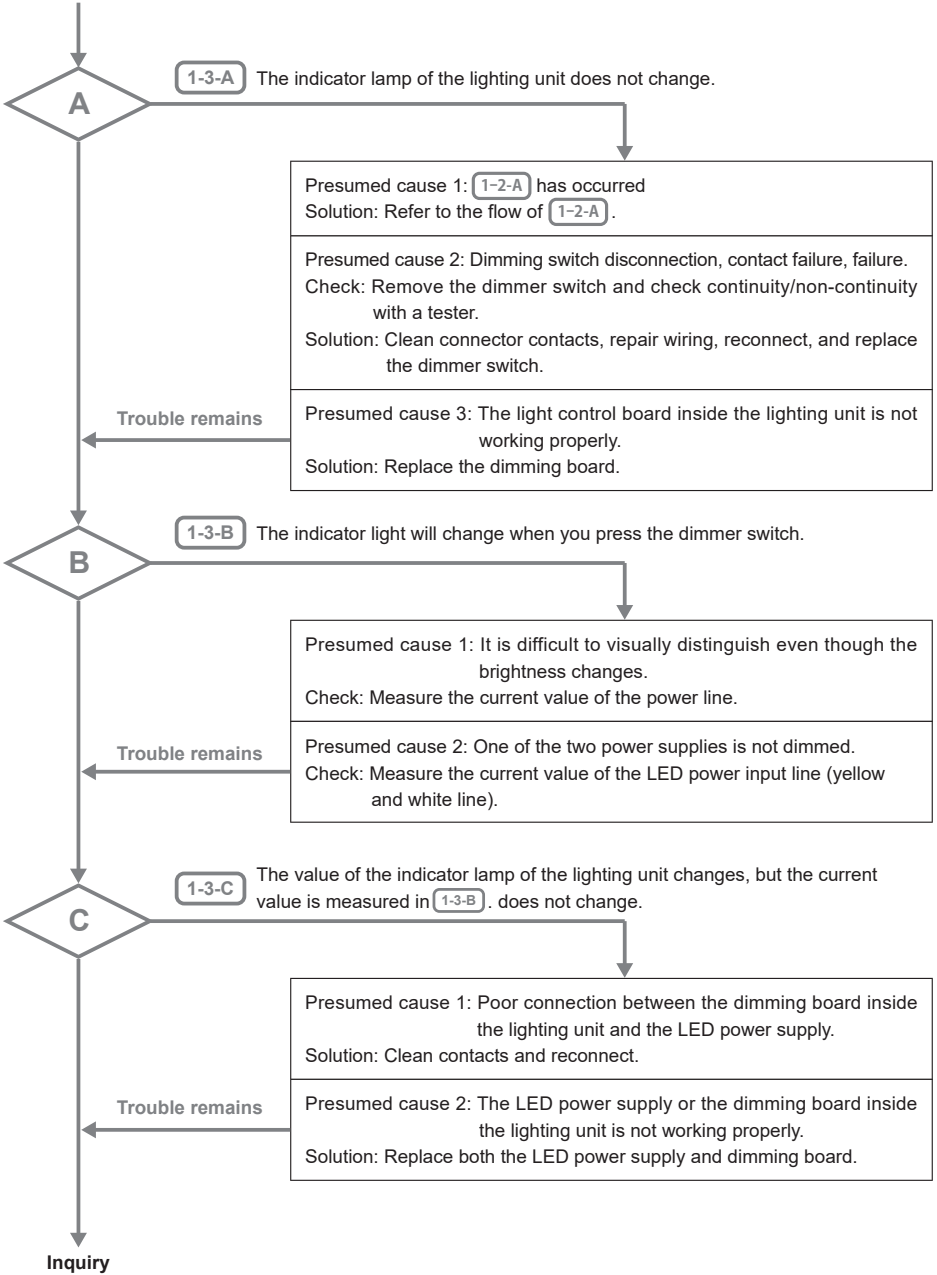


1-2. The light automatically dims/turns off

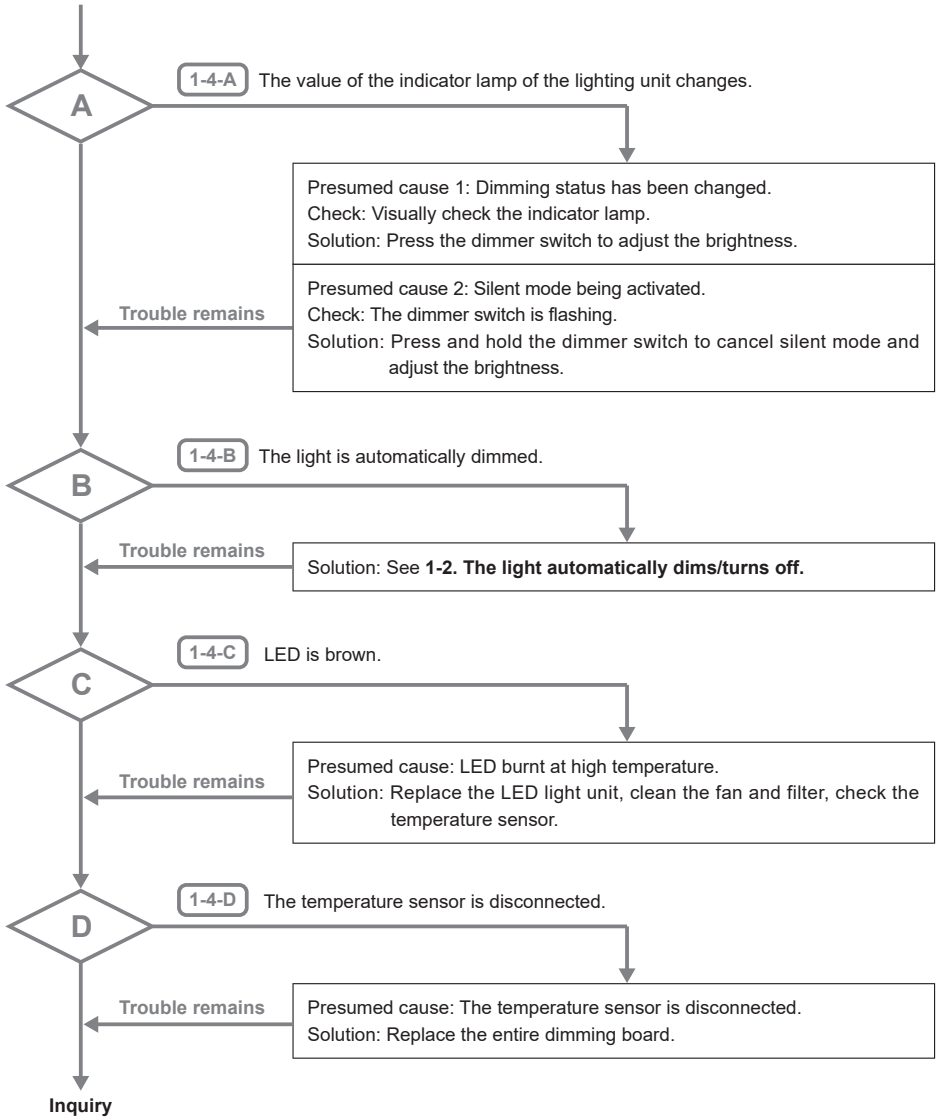




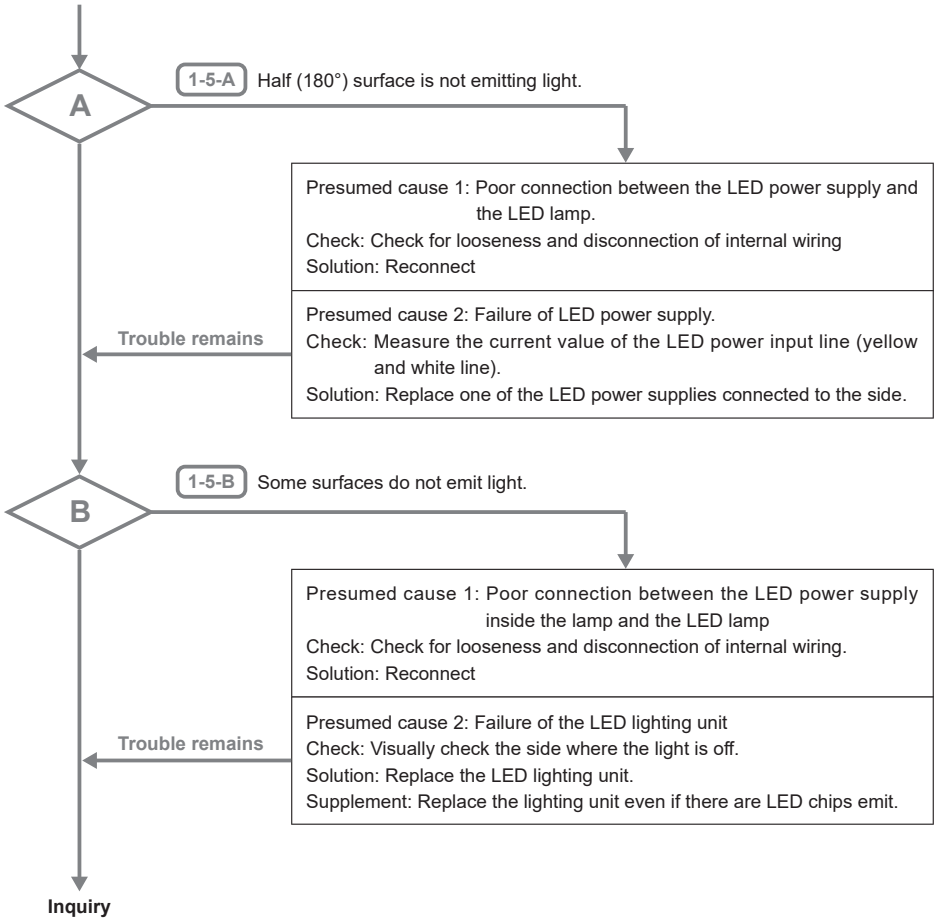
1-3. Dimming does not work (half/whole)



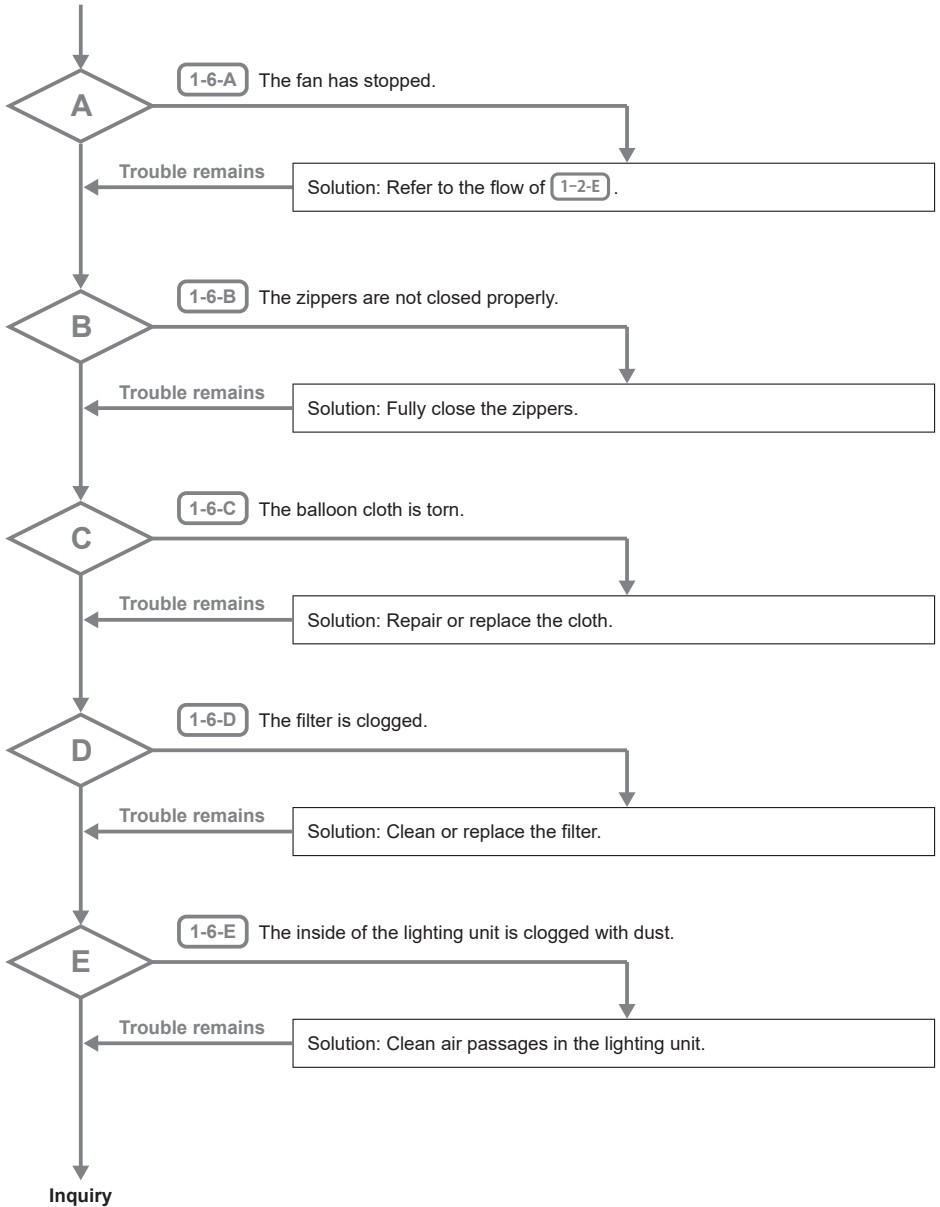
1-4. It lights up, but it is dark



1-5. Some of the LEDs do not light up



1-6. The balloon is not fully inflated



Mast

Precheck

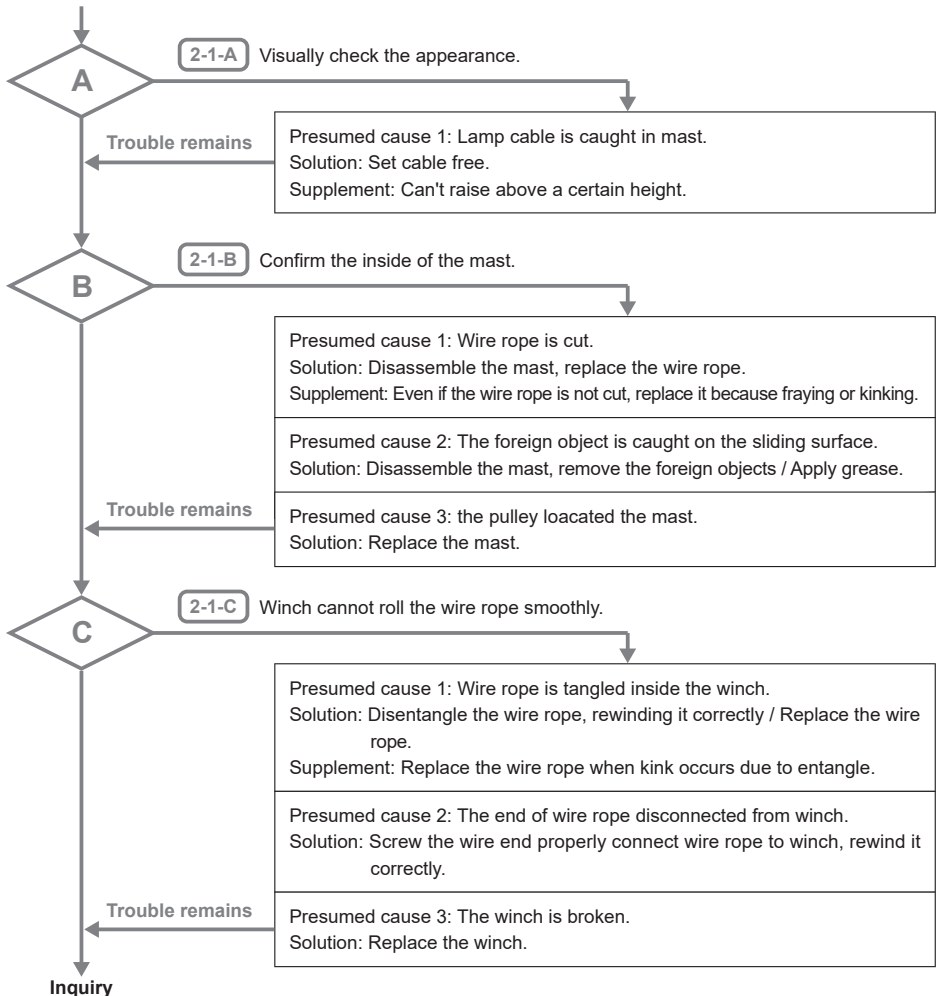
- The direction to turn the winch handle is correct.

Attention of the operation

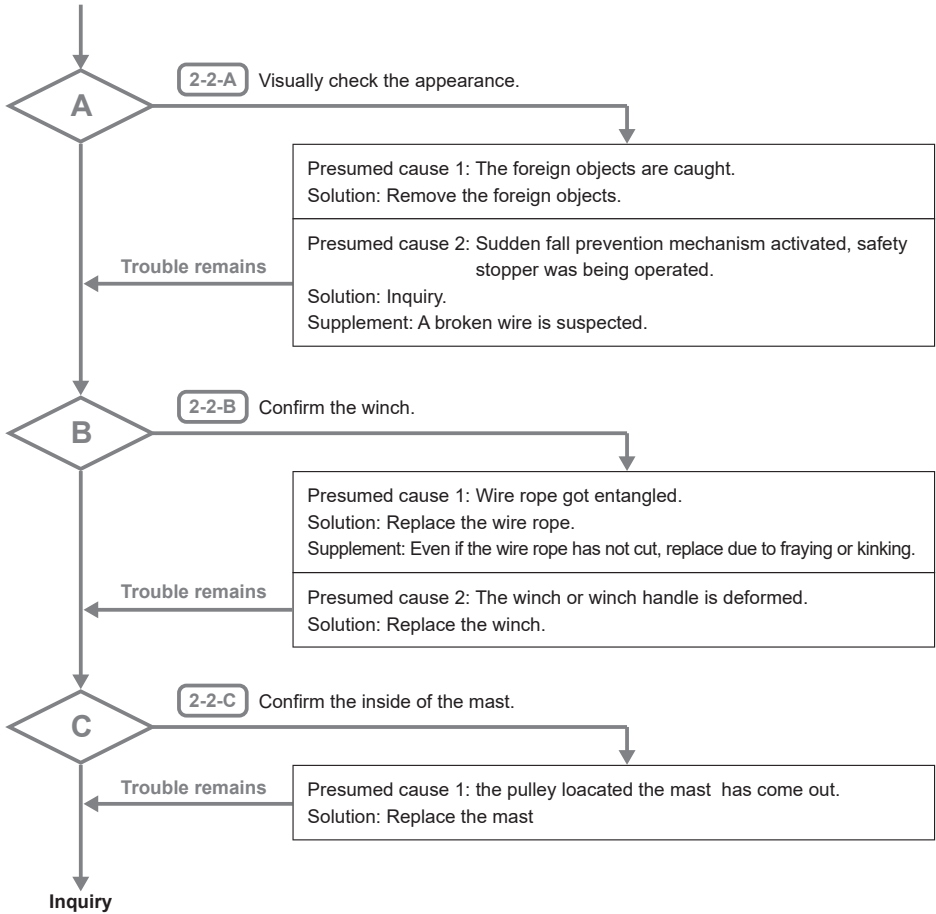
- Please ensure that there are no overhead objects when operating the mast.
- At the time of lifting the mast, please be careful not to pinch your fingers by the mast.
- Always apply the brake, jack up and chock the tires.

2-1. The mast cannot be raised.
2-2. The mast cannot be lowered
2-3. Mast keeps coming down

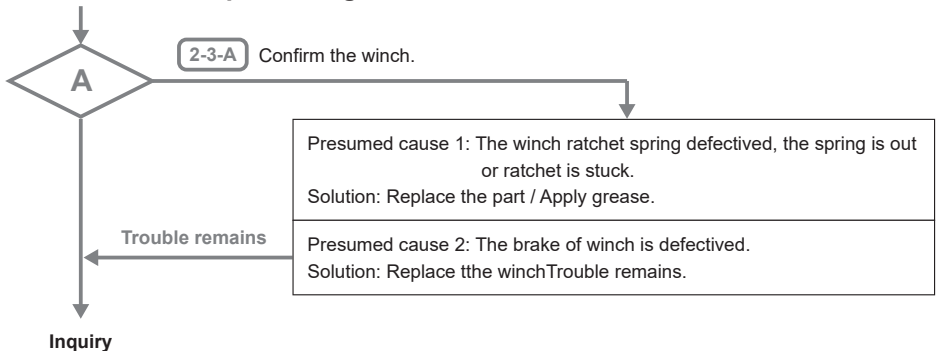
2-1. the mast cannot be raised



2-2. the mast cannot be lowered



2-3. The mast keeps coming down



Specifications

Model		B8CM-CE	
Lighting system	AC	Voltage (V)	AC230 *1
		Frequency (Hz)	50 / 60
		Wattage (W)	860
	Lamp	Lamp Type	LED 800W x 1
		Dimming (W)	800 / 600 / 400
		Total Luminous Flux (lm)	110000 / 90000 / 67000 *2
		Outside Temperature (°C)	-10 to 40
	Mast	Mast type	4 stages telescopic
		Operation method*3	Manual
	Cart	Tires	Front tires : Outer diameter 380mm solid x 2
			Caster tires : Outer diameter 200mm solid x 2
		Brakes	Rear 2 wheel caster brake
		Outrigger	Sliding type x 4
	Dimension	Operating (LxWxH)(mm)	2350 x 1570 x 2100-6400
Stored (LxWxH)(mm)		1177 x 777 x 2100	
Plug type		IEC60309 230V 16A-6h-2P+E	
Total mass (kg)		248	
Appropriate Generator		Output 0.9kVA or more	

*1 Voltage 200-240V are available when power plugs are changed.

*2 Values shown are maximum.

*3 Safety device equipt to prevent the reverse winding.

- LED chips differ from one case to the next on the production process, they have their own brightness and color temperature.
- All features and specifications are subject to change without notice.

Disposal

Your LIGHT BOY mobile lighting system mainly consists of metallic materials that can be re-melted in steelworks and smelting works and that is therefore almost infinite recyclable.

LIGHT BOY mobile lighting system contains substances that may adversely affect the environment and human health. Proper disposal can prevent adverse effects on the environment and human health. When disposing a used product, please contact the dealer or the sales store nearby where you purchased the product. Alternatively, dispose all components according to the applicable disposal regulations.



Never throw the product in municipal waste. This symbol of the crossed out wheeled bin indicates that product (electrical and electronic equipment) should not be placed in municipal waste.



Signifies low-density polyethylene.



Signifies corrugated fiberboard.

How to Get Help

When you have questions or the lighting systems breakdown, please take note the followings, and contact the dealer or the sales store nearby.

Model and Serial number (on nameplate)

B8CM-CE - ○○○○○○

Use environment

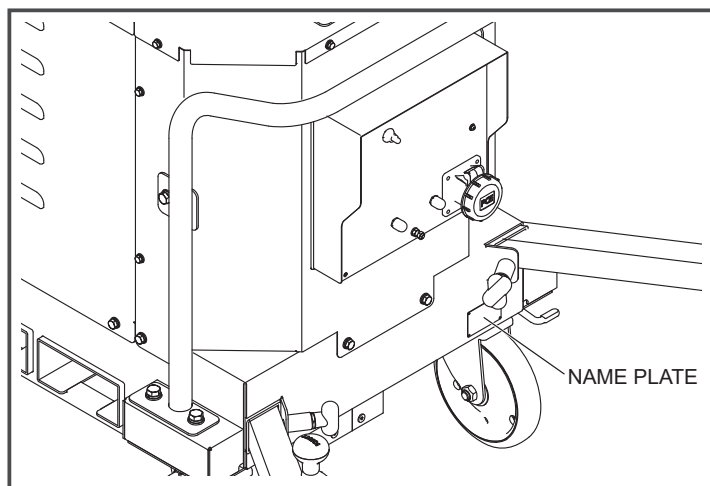
How did you use?

How long did you use?

Approx hours of use. Please verify at hour meter on the control panel.

Please describe in detail when breaking down.

The detailed situation.





Explanation of safety confirmation

Models	Manufacturing number No.
--------	-----------------------------

From the following sales presenter, I was received for an explanation safe handling and operation of this product.

Description content and points to be checked	Check <input checked="" type="checkbox"/>	Description content and points to be checked	Check <input checked="" type="checkbox"/>
Receiving the manual	<input type="checkbox"/>	Ways to operate each part of the machine	<input type="checkbox"/>
Description of caution of safety	<input type="checkbox"/>	Ways of maintenance	<input type="checkbox"/>
Description of the content on alarm display and labels location	<input type="checkbox"/>	Treatment and cotact in case of trouble found	<input type="checkbox"/>
Ways of preparation for use	<input type="checkbox"/>	About warantrny and guaranteed provision	<input type="checkbox"/>

Date of description	
Delivery date	

C u s t o m e r	Address	
	Company name	 ()
	name	
D e a l e r	Address	
	Store name	 ()
	Name of delivery explainer	

Distributed by :

LIGHT BOY EUROPE AB

Södra Industrigatan 3 , port 17

SE-274 30 SKURUP, Sweden

<https://www.light-boy.eu>

Manufacturer :

LIGHT BOY CO.,LTD.

1-39-1 Yazaki-cho, Fuchu-shi,

Tokyo Japan

<https://www.light-boy.com>

